

Standard Installation

TOOL LIST

Level
Chalkline
Tape Measure
Hacksaw
Screwdrivers, Straight Blade and Phillips Head
(A screw gun makes the job easier.)
Drill
1/8, 3/16 and 1/4 drill bits
5/16 masonry drill bit
14" x 14" x 14" Spacer block

FASTENERS

1/4" (10-24) ONEWAY THRU-BOLT ST/ST



SEX BOLTS

Used for the attachment of the following to panels, doors and pilasters: wall brackets, pilaster shoes, strikes, wrap around hinges, wall stops, latches, headrail, headrail brackets and coat hooks.

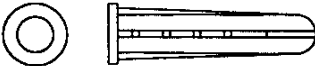
#14 x 1 1/2" PHILLIPS PAN SMS ST/ST



#14 SCREW

Used for the attachment of the following to walls and floors: wall brackets, pilaster shoes and headrail brackets. Also for pedestal to locker bench.

#14-16 PLASTIC SCREW ANCHOR



PLASTIC ANCHOR

Used with #14 screws for wall and floor attachments.

#14 x 3/4" PHILLIPS PAN SMS ST/ST



3/4" SCREW

Used for the installation of shower seats, vanities, shower cubicles and shelves.

#8 x 1" FLAT PHILLIPS SMS ST/ST



HINGE SCREW

Used to attach wrap around hinges to edges of doors and pilasters.

1 7/16 (10-24) ROUND ONEWAY MACHINE SCREW ST/ST



EXTRA LONG SEX BOLT

Used to attach door pulls and latches to outswing doors.

#12 x 3/4" FLAT PHILLIPS SMS ST/ST



#12 SCREW

Used to attach surface mount strikes to pilasters and walls.

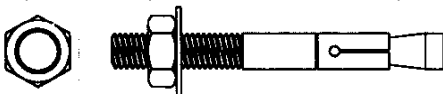
#14 x 2 1/2" PHILLIPS PAN SMS ST/ST



2 1/2" SCREW

Used to attach surface mount pilasters to walls.

1/4" x 2 1/4" THUNDERSTUD ST/ST

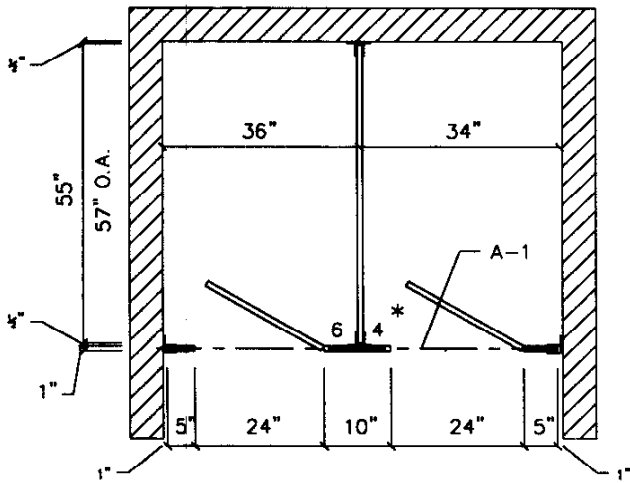


THUNDERSTUD

Used to attach locker room bench pedestals to the floors.

Layout

Using floor plans, measure out from both ends of unit $1/2$ " less than overall depth (Figure A) to determine centerline of pilasters. Place a chalkline at this location.



Floor Plan

* Pilaster will be divided equally unless indicated as above.
(See page 6)

Figure A

Using floor plans, locate panel centerlines on back wall (Figure B).

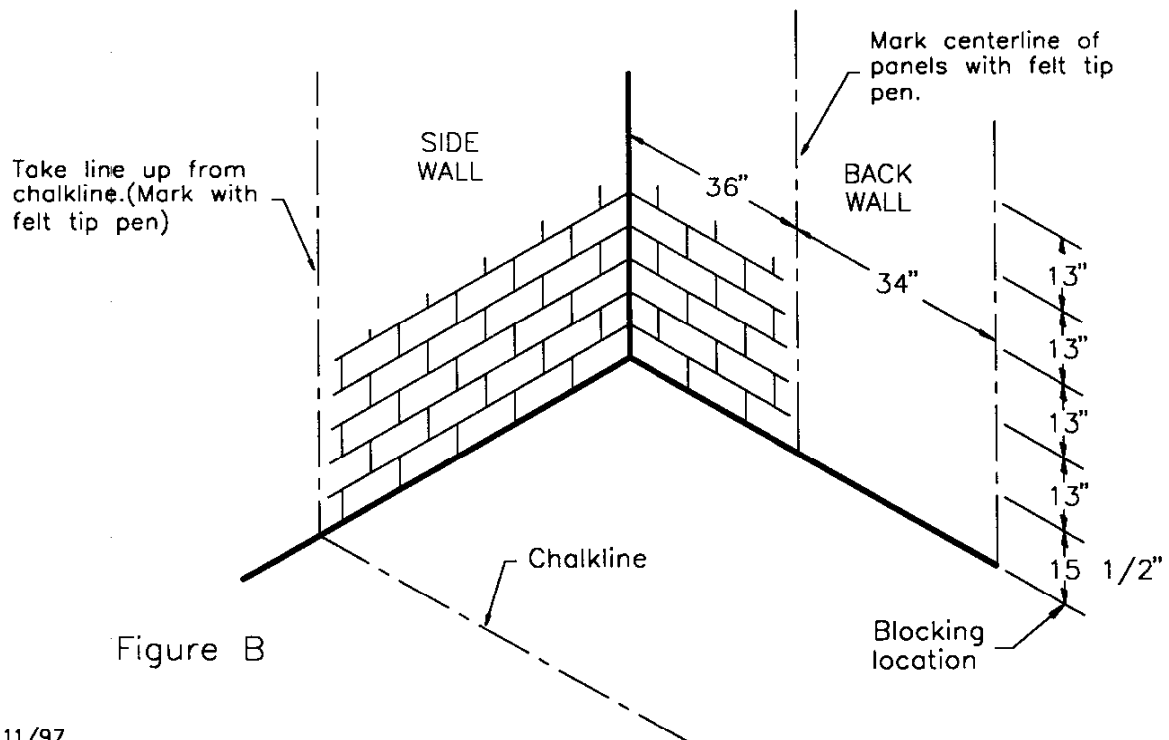
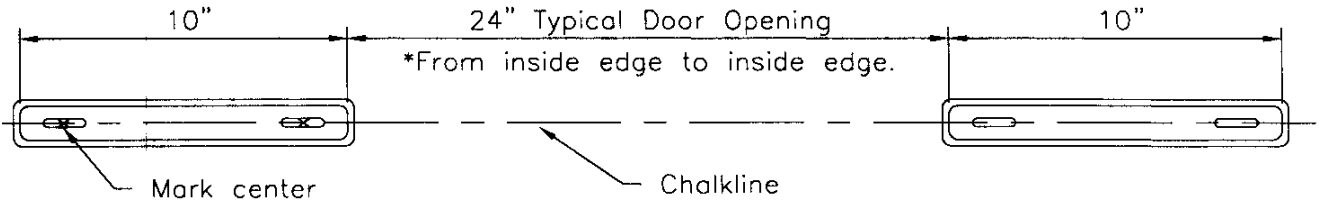


Figure B

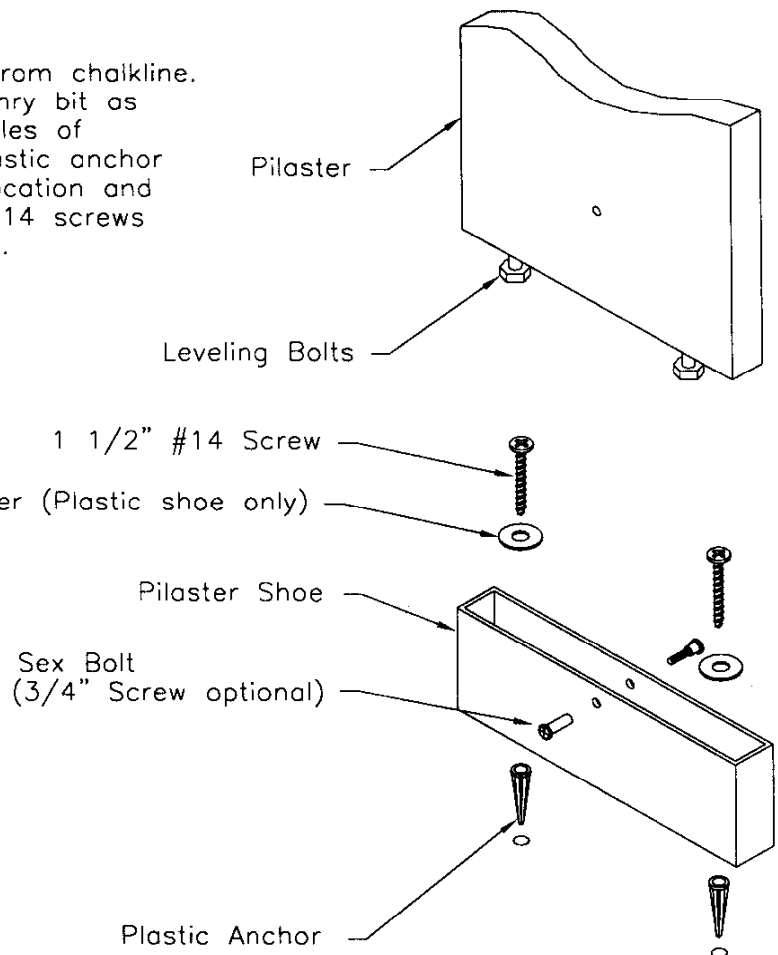
INSTALLATION OF PILASTER SHOES

DETERMINING LOCATIONS FOR DRILLING: Determine pilaster shoes exact location per floor plan. All pilaster widths and door opening sizes are measured from the inside edge of the pilaster shoe to the inside edge of the next pilaster shoe.



Using a felt tip pen, carefully mark center of elongated holes. Care in marking holes will allow for adjustment later.

DRILLING: Remove pilaster shoe from chalkline. Drill 5/16" Dia. holes with masonry bit as marked along chalkline. Clean holes of masonry dust. Insert #14-16 plastic anchor in hole. Place pilaster shoe in location and connect to floor with 1 1/2" # 14 screws and 3/8" stainless steel washers.

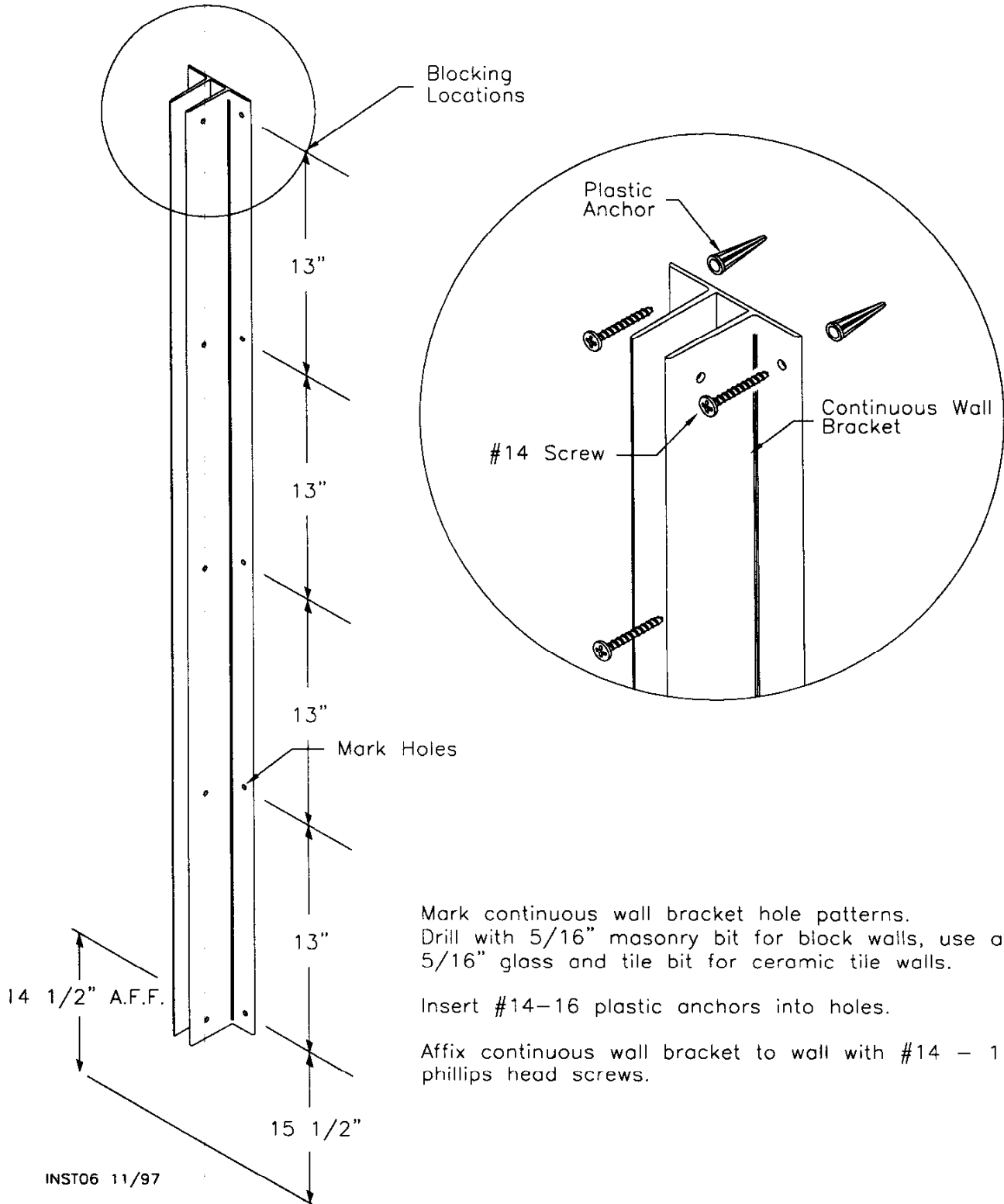


INSTALLATION OF CONTINUOUS WALL BRACKETS

Distribute appropriate continuous wall brackets (Single Ear or Double Ear) to their respective approximate locations.

Utilizing each individual continuous wall bracket as a template, align the hole pattern between the flanges with the previously marked panel centerline.

IMPORTANT: Do not interchange or flip continuous wall brackets as the hole patterns may not match.



INSTALLATION OF PANELS:

Place a 14" block midway between the wall and pilaster shoe. Place panel on block and in flanges of the continuous wall bracket.

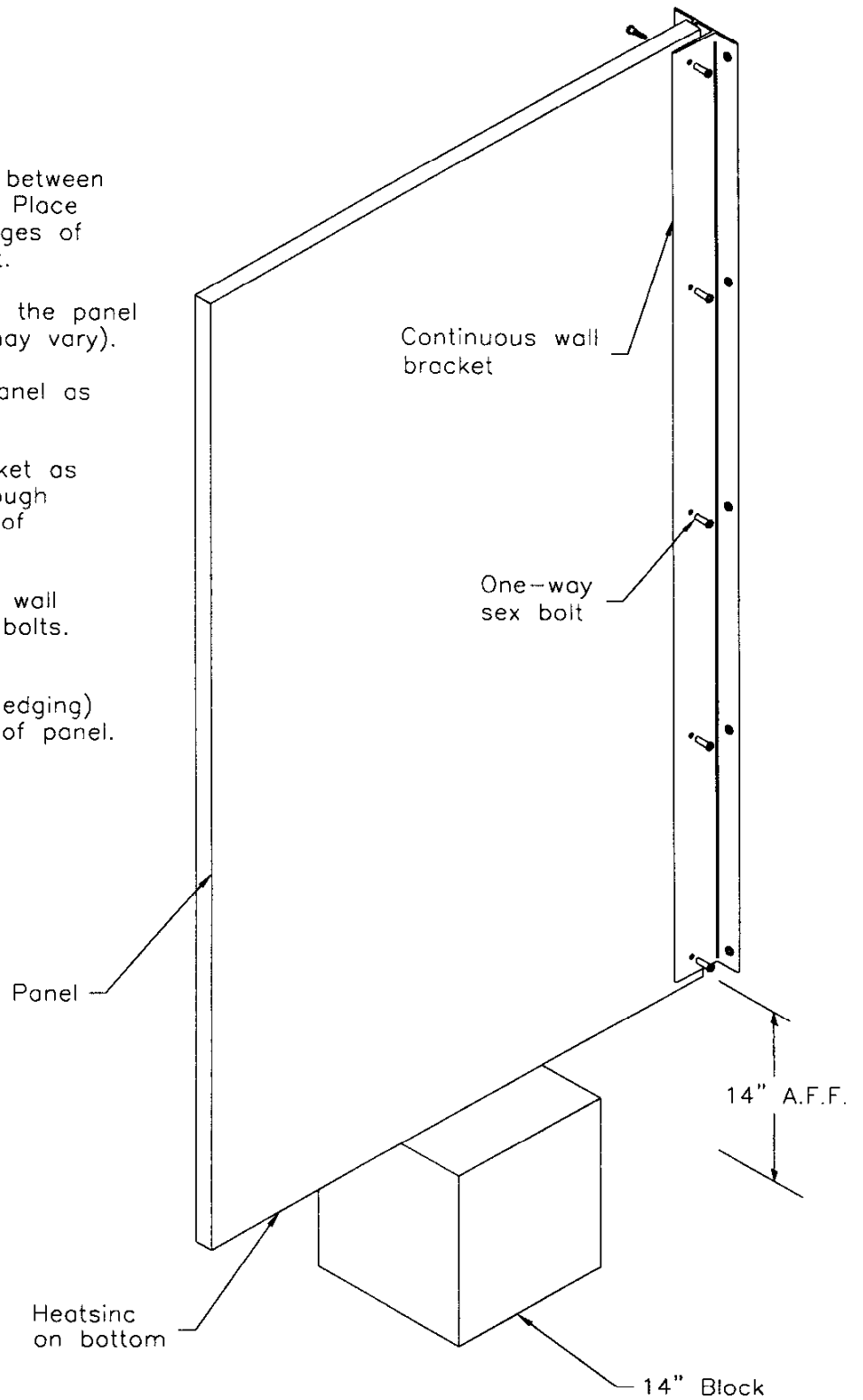
Leave a 1/2" gap between the panel and wall (1/2" std. gap may vary).

Shim between block and panel as required to level panel.

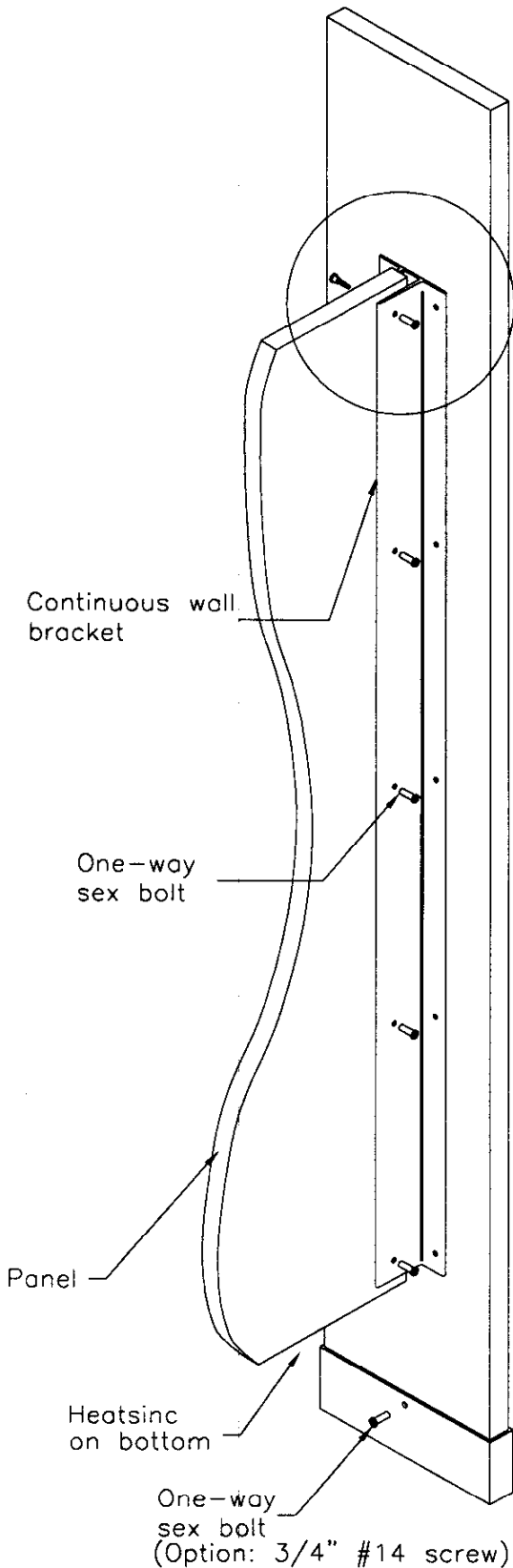
Using continuous wall bracket as guide, drill 1/4" holes through panel and opposite flange of continuous wall bracket.

Attach panel to continuous wall bracket with one-way sex bolts.

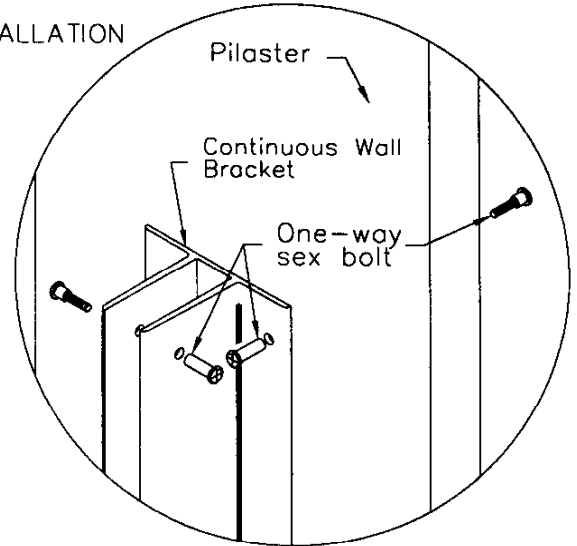
NOTE! Heatsinc (aluminum edging) to be installed on bottom of panel.



INSTALLATION OF PILASTERS:



STANDARD INSTALLATION



Place continuous wall bracket on panel. Leave a 1/2" gap from panel to edge of bracket. Leave an equal amount of space at top and bottom of panel.

Using continuous wall bracket as guide, drill 1/4" holes through panel and opposite flange of continuous wall bracket.

Attach continuous wall bracket to panel with one-way sex bolts.

Place pilaster in shoe and rest against continuous wall bracket. With pilaster level and plumb drill 1/4" holes through pilaster using continuous wall bracket as guide.

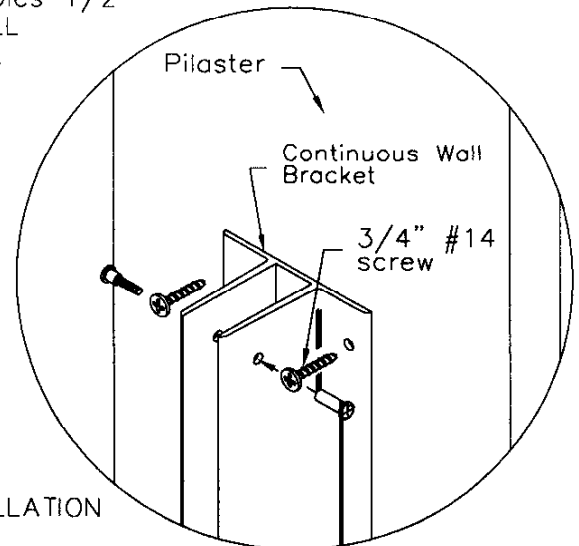
Connect with one-way sex bolts.

Do not drill holes between the flanges.

OPTIONAL INSTALLATION:

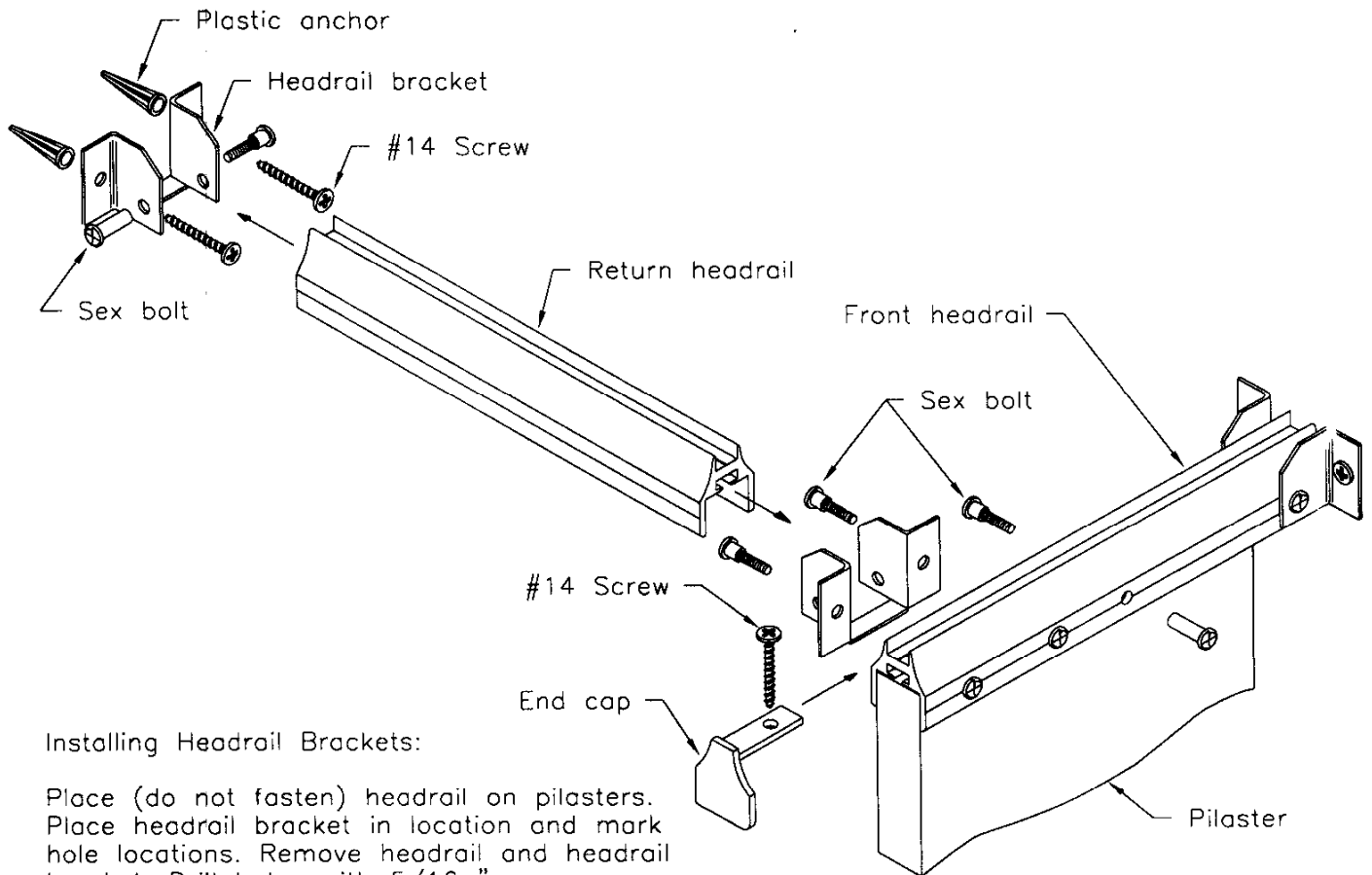
Place pilaster in shoe and rest against continuous wall bracket. With pilaster level and plumb drill 3/16" pilot holes 1/2" deep. DO NOT DRILL THROUGH PILASTER.

Connect with 3/4" #14 screws.



OPTIONAL INSTALLATION

INSTALLING HEADRAIL, HEADRAIL BRACKETS AND END CAPS



Installing Headrail Brackets:

Place (do not fasten) headrail on pilasters. Place headrail bracket in location and mark hole locations. Remove headrail and headrail bracket. Drill holes with 5/16" masonry drill bit. Insert plastic anchors into holes and attach headrail bracket with 1 1/2" #14 screws.

When attaching headrail bracket to headrail follow previous steps and fasten with one-way sex bolts.

Installing Headrail To Pilasters:

Place headrail on pilasters and in headrail brackets. Drill 1/4" hole through headrail using headrail bracket as template. Fasten with one-way sex bolt.

Drill 1/4" hole through each pilaster and headrail. Fasten with one-way sex bolts.

Installing End Cap:

Place end cap in place and mark hole location. Remove end cap and drill 1/4" hole through headrail. Drill 3/16" pilot hole 1" deep into pilaster. Attach end cap with 1 1/2" #14 screw.

INSTALLATION OF INTEGRAL HINGE DOORS

Insert top portion of helix pin into bottom of door with the peak and valley of helix in line with the door.

Tap pin into door until $\frac{3}{4}$ " of stainless steel pin is left exposed.

Drill $\frac{1}{8}$ " hole into edge of door 2" from bottom through the nylon portion of helix pin 2" +/- deep.

Set roll pin partially in place leaving $\frac{1}{8}$ " exposed in case removal for readjustment is required.

Insert bottom portion of helix pin into bottom of pilaster leaving 1 $\frac{1}{4}$ " exposed. Rotate pin until door angle of rest is obtained (Figure "A").

Drill $\frac{1}{8}$ " hole 2" down from door cutout 2" +/- deep.

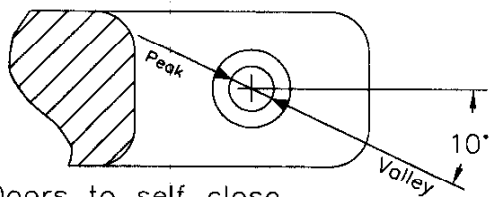
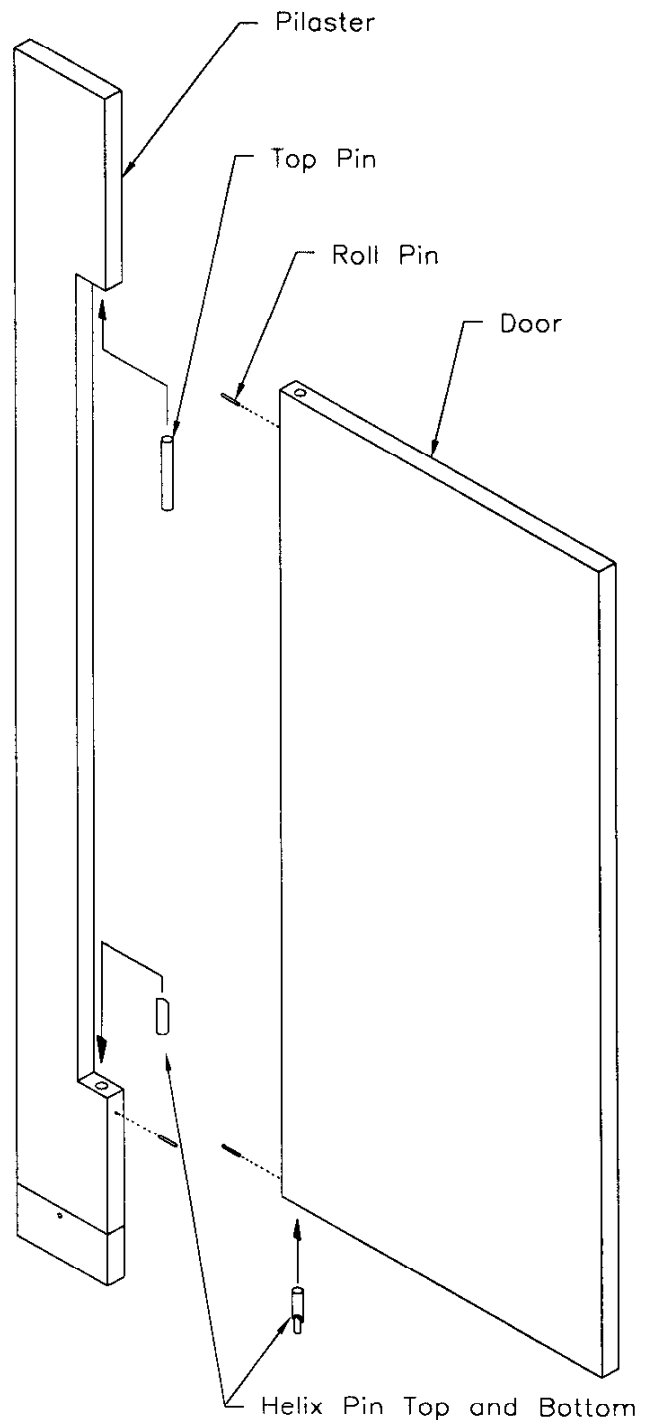
Set roll pin partially in place leaving $\frac{1}{8}$ " exposed in case removal for readjustment is required.

Insert top pin into top hole provided in pilaster. Leave approximately $\frac{1}{8}$ " of pin exposed.

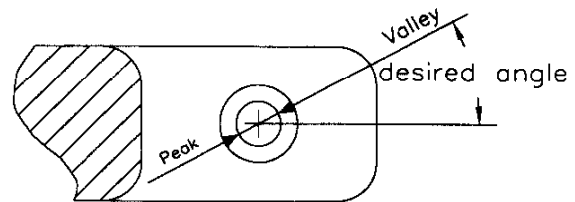
Mount door onto helix pin. Align top hinge pin with hole in top of door. Slide top pin into hole in top of door (using the edge of utility knife will ease the process).

Drill $\frac{1}{8}$ " hole in top edge of door 1" down from top through top pin 2" +/- deep. Insert roll pin in hole to secure door in place.

Once door is attached and working properly drive all roll pins flush.



Doors to self close



Doors to hold open

FIGURE "A" (Left hand in door used as example)

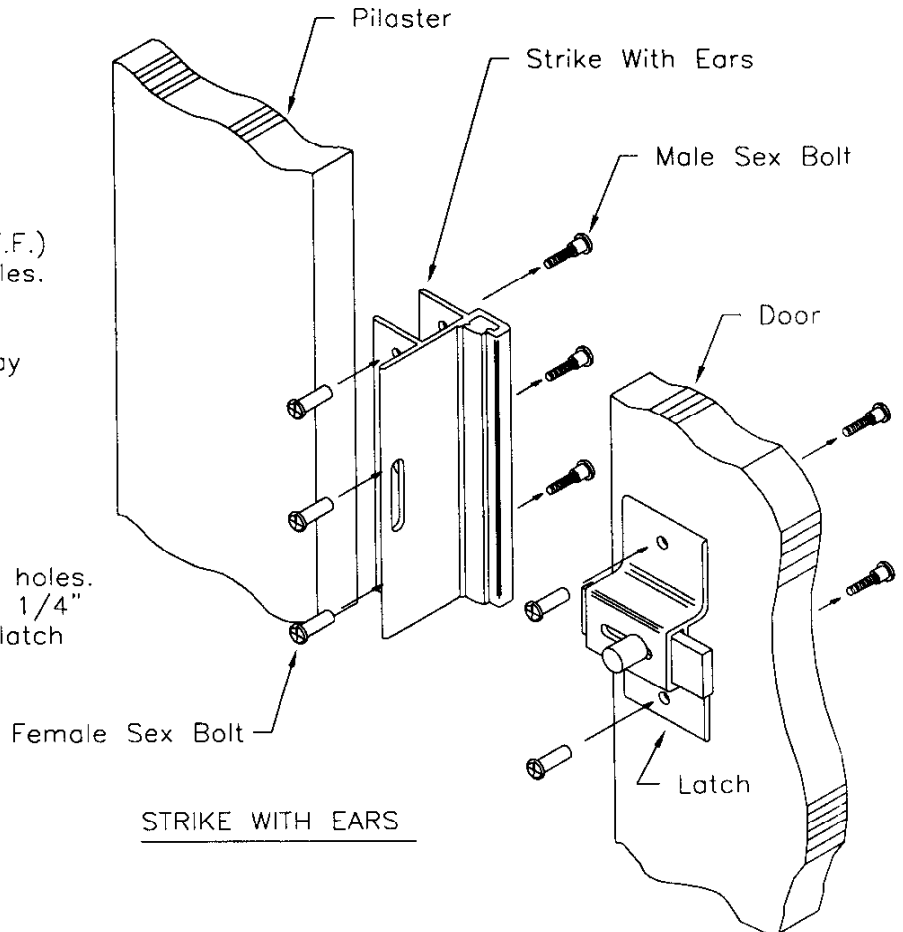
INSTALLING INSWING STRIKE & LATCH

INSTALLING STRIKE:

Position strike on pilaster with bottom of strike 36 3/4" A.F.F. (Mount standard 2" strike 38" A.F.F.) Using strike as template mark holes. Remove strike and drill holes with 1/4" drill bit. Attach strike to door with one-way sex bolts.

INSTALLING LATCH:

Position latch on door centering slide bar with center of slot. Use latch as template and mark both holes. Remove latch and drill holes with 1/4" drill where marked. Through bolt latch to door using one way sex bolts.



STRIKE WITH EARS

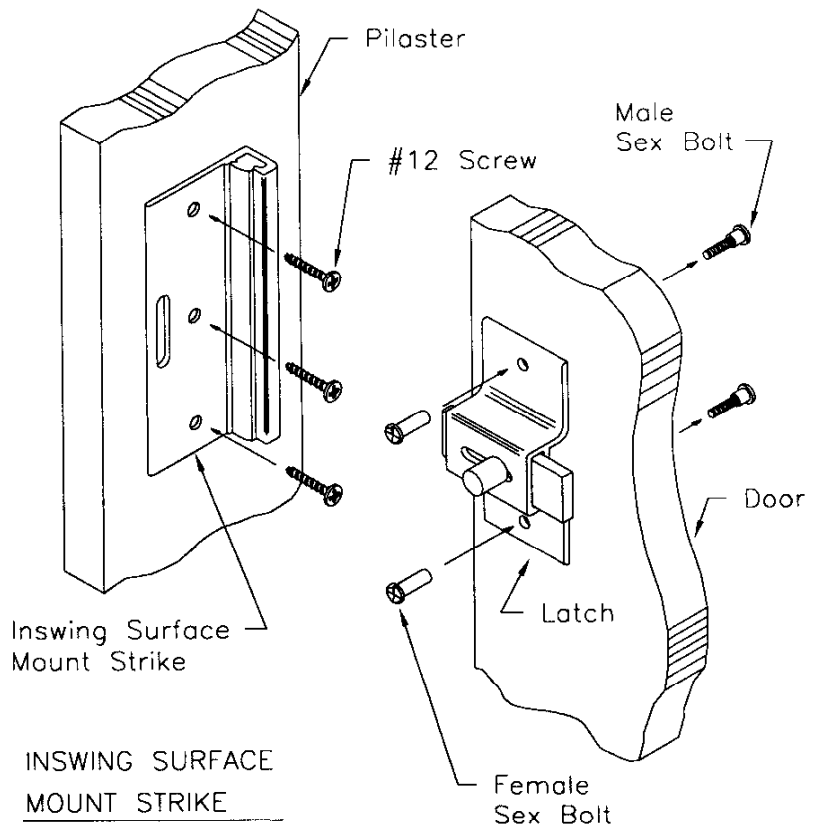
INSTALLING SURFACE MOUNT STRIKE:

Position strike on pilaster with bottom of strike 36 3/4" A.F.F. (Mount standard 2" strike 38" A.F.F.) Using strike as template mark holes. Remove strike and drill holes with 3/16" drill bit 3/4" deep. Attach strike to pilaster using (3) #12 3/4" flat head screws.

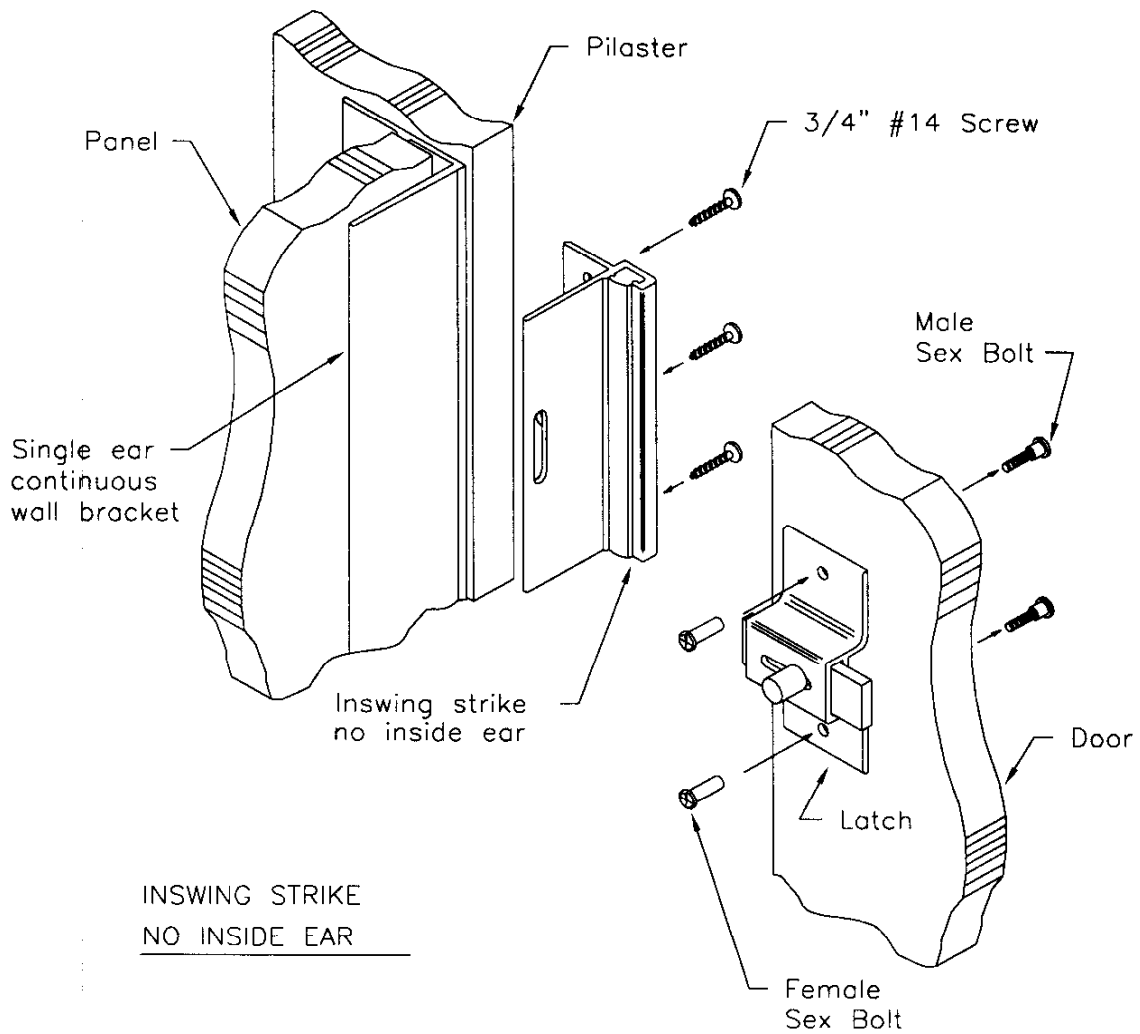
NOTE: When attaching strike to wall drill holes in wall using 5/16" drill bit. Attach strike to wall using (3) #12 1 1/2" flat head screws and plastic anchors.

INSTALLING LATCH:

Position latch on door centering slide bar with center of slot. Use latch as template and mark both holes. Remove latch and drill holes with 1/4" drill where marked. Through bolt latch to door using one way sex bolts.



INSWING SURFACE MOUNT STRIKE



INSWING STRIKE
NO INSIDE EAR

INSTALLING STRIKE:

Position strike on pilaster with bottom of strike 36 3/4" A.F.F. (Mount standard 2" strike 38" A.F.F.) Using strike as template mark holes. Remove strike and drill holes with 3/16" drill bit 3/4" deep. Attach strike to pilaster using (3) #14 3/4" phillips head screws.

INSTALLING LATCH:

Position latch on door centering slide bar with center of slot. Use latch as template and mark both holes. Remove latch and drill holes with 1/4" drill where marked. Through bolt latch to door using one way sex bolts.

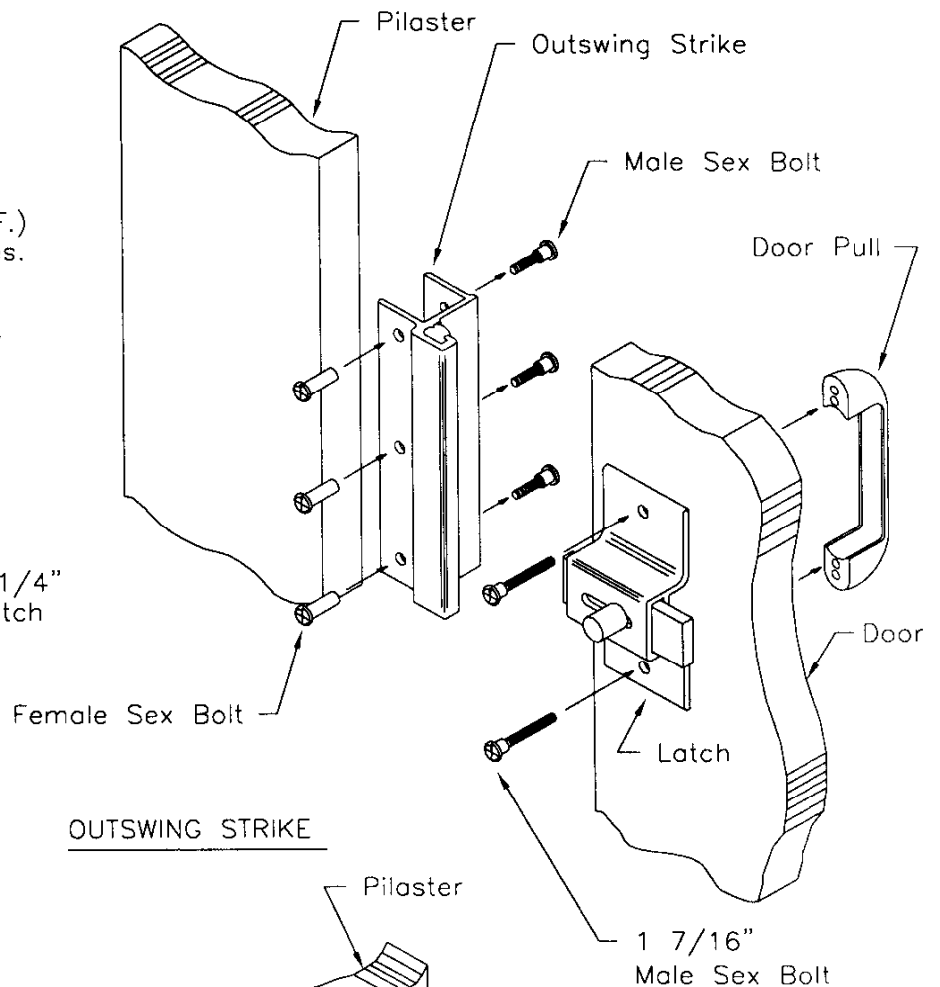
INSTALLING OUTSWING STRIKE, LATCH & DOOR PULL

INSTALLING STRIKE:

Position strike on pilaster with bottom of strike 36 3/4" A.F.F. (Mount standard 2" strike 38" A.F.F.) Using strike as template mark holes. Remove strike and drill holes with 1/4" drill bit. Attach strike to door with one-way sex bolts.

INSTALLING LATCH AND DOOR PULL:

Position latch on door centering slide bar with strike. Use latch as template and mark both holes. Remove latch and drill holes with 1/4" drill where marked. Through bolt latch to door pull using 1 7/16" male sex bolts.



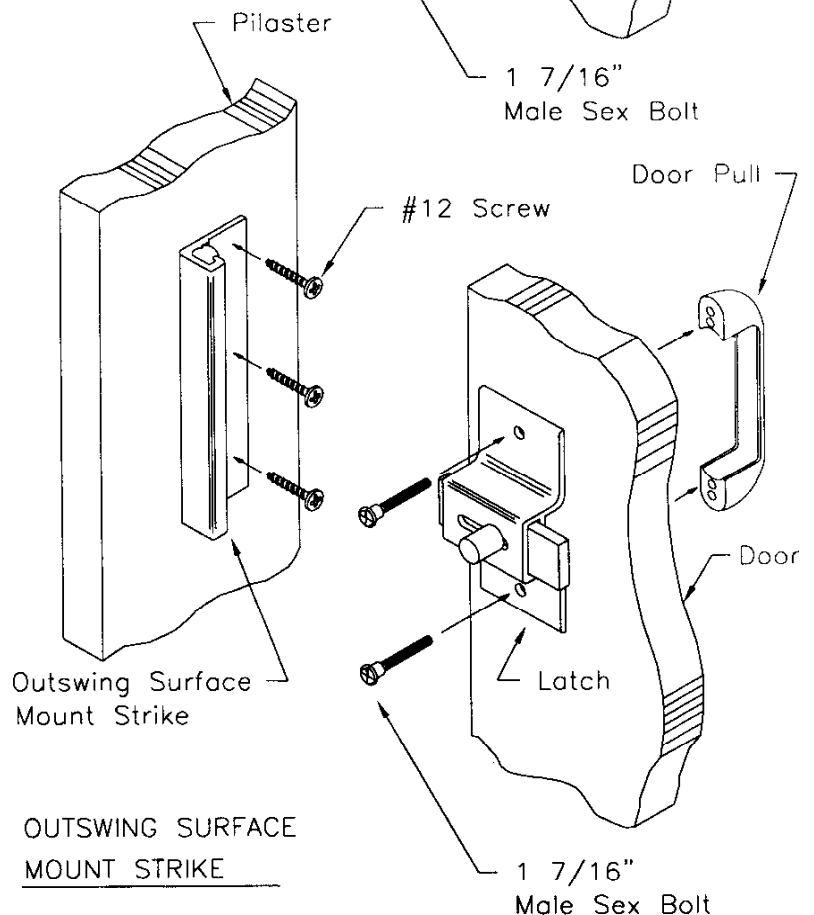
INSTALLING SURFACE MOUNT STRIKE:

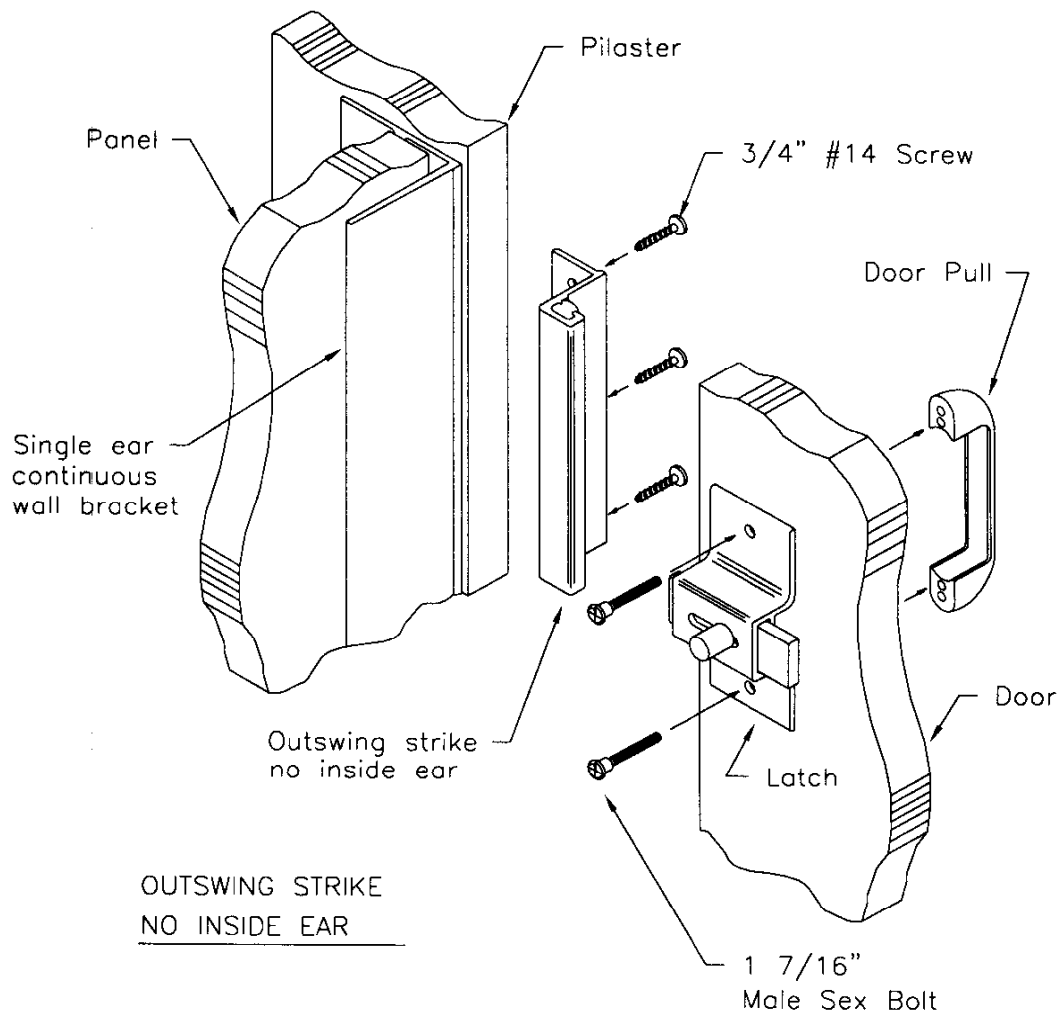
Position strike on pilaster with bottom of strike 36 3/4" A.F.F. (Mount standard 2" strike 38" A.F.F.) Using strike as template mark holes. Remove strike and drill holes with 3/16" drill bit 3/4" deep. Attach strike to pilaster using (3) #12 3/4" flat head screws.

NOTE: When attaching strike to wall drill holes in wall using 5/16" drill bit. Attach strike to wall using (3) #12 1 1/2" flat head screws and plastic anchors.

INSTALLING LATCH AND DOOR PULL:

Position latch on door centering slide bar with strike. Use latch as template and mark both holes. Remove latch and drill holes with 1/4" drill where marked. Through bolt latch to door pull using 1 7/16" male sex bolts.





INSTALLING STRIKE:

Position strike on pilaster with bottom of strike 36 3/4" A.F.F. (Mount standard 2" strike 38" A.F.F.) Using strike as template mark holes. Remove strike and drill holes with 3/16" drill bit 3/4" deep. Attach strike to pilaster using (3) #14 3/4" phillips head screws.

INSTALLING LATCH AND DOOR PULL:

Position latch on door centering slide bar with strike. Use latch as template and mark both holes. Remove latch and drill holes with 1/4" drill where marked. Through bolt latch to door pull using 1 7/16" male sex bolts.

INSTALLING WALL STOP
(Outswing Doors Only)

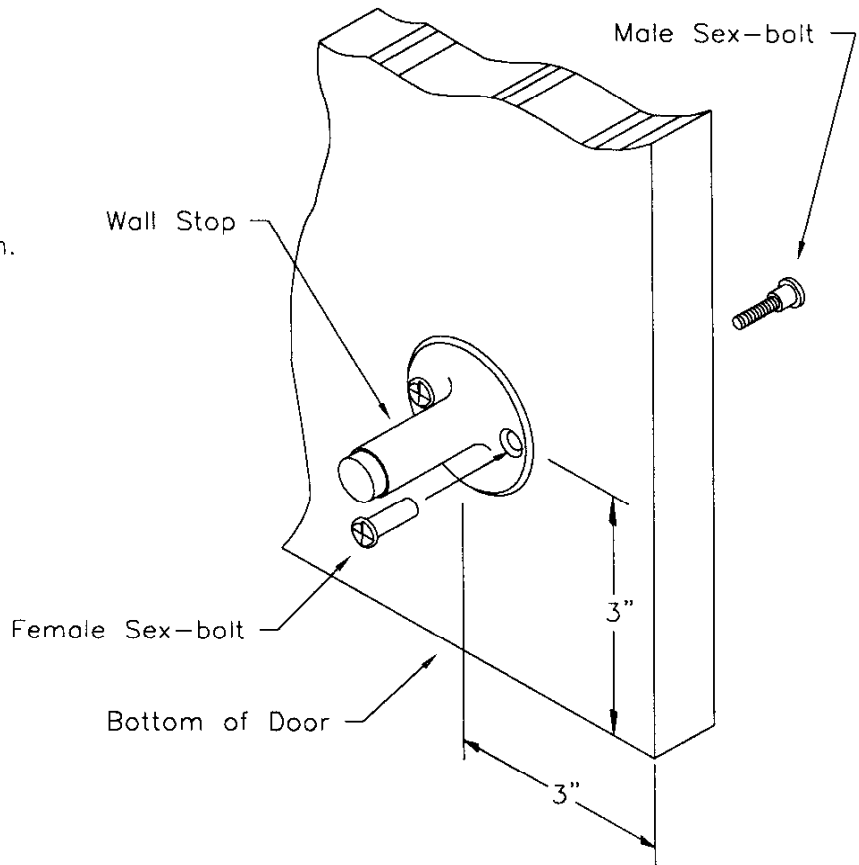
Installing Wall Stop on Door:

Position wall stop on door approximately 3" from the edge and 3" from the bottom.

Drill 1/4" holes through door using wall stop as template.

Attach to door with one-way sex-bolts.

NOTE! Position wall stop as required by existing wall conditions.

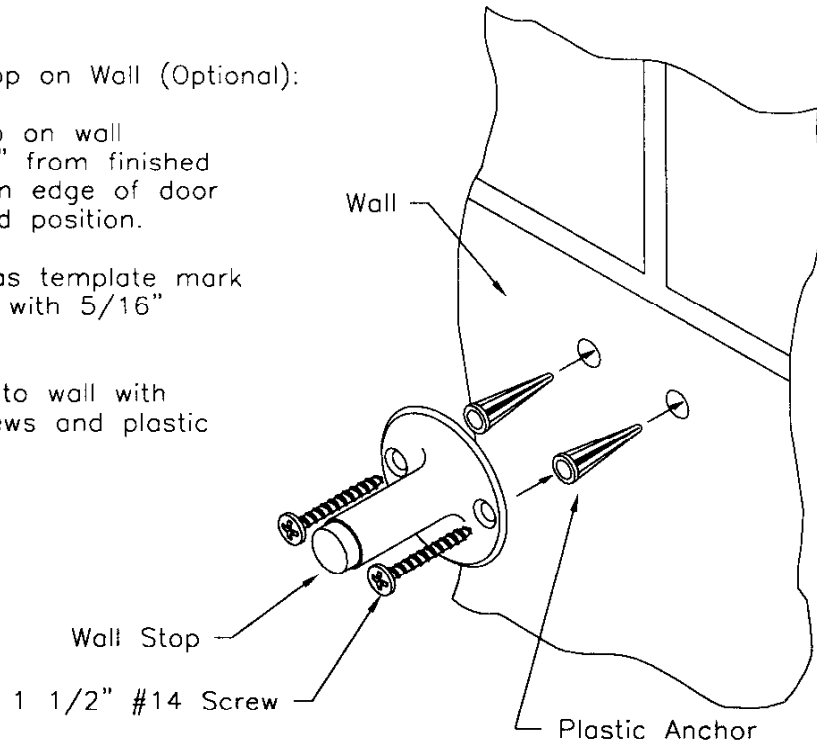


Installing Wall Stop on Wall (Optional):

Position wall stop on wall approximately 17" from finished floor and 3" from edge of door in the full opened position.

Using wall stop as template mark holes. Drill holes with 5/16" bit.

Attach wall stop to wall with 1 1/2" #14 screws and plastic anchors.



Installing Coat Hook

Installing Coat Hook on Door:

Position coat hook on door approximately 3" from the edge and 3" from the top.

Drill 1/4" holes through door using coat hook as template.

Attach to door with one-way sex-bolts.

NOTE! Position coat hook as required by local codes

