

Ceiling Hung and Floor to Ceiling

CEILING HUNG PILASTER AT PANEL

Locate ceiling bolt locations per shop drawings.

Mark bolt locations on beam in ceiling. Drill holes in beam using a 3/8" metal bit. Insert 3/8" tap bolt (provided) into beam. Using washers and nuts tighten bolt to beam.

NOTE: Leave 2" of bolt exposed below the finished ceiling. Threaded rod may be substituted depending upon field requirements.

Thread nut onto bolt up to finished ceiling. Place lock washer on bolt. Position ceiling bracket onto panel and slide up towards ceiling inserting bolts through ceiling bracket. Place washer and nut onto bolt. Level bracket using opposing hex head nuts. Tighten all bolts.

Using ceiling bracket as template drill holes through panel and fasten with one-way sex bolts.

Slide pilaster into ceiling bracket so bottom of pilaster is 14" A.F.F.

Check pilaster for proper left and right offsets (see shop drawings).

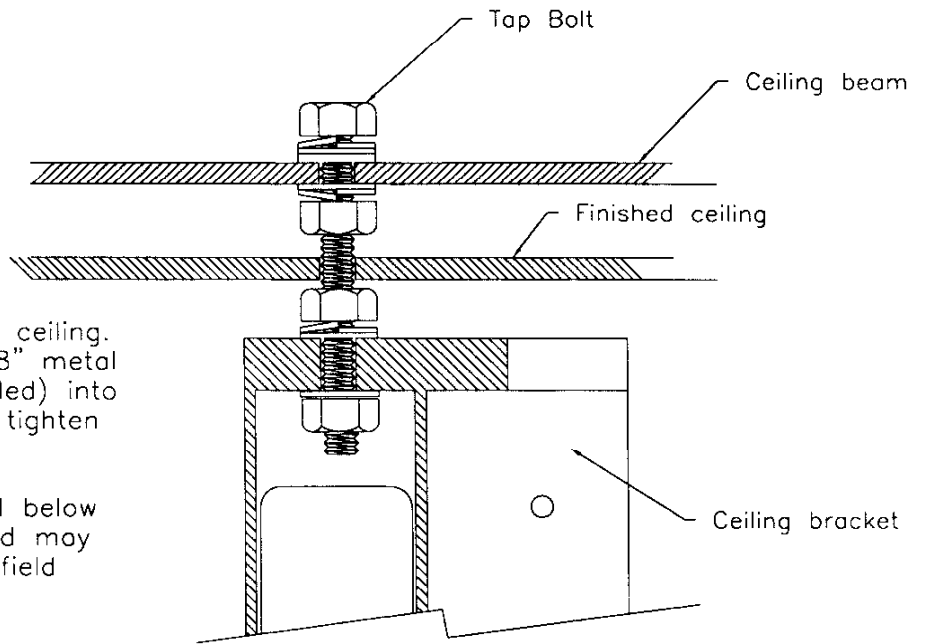
Using holes in ceiling bracket as template drill holes through pilaster and attach with one-way sex bolts.

Insert filler panel in back of ceiling bracket from top of panel to ceiling. Using bracket as template drill holes and attach with one-way sex bolts.

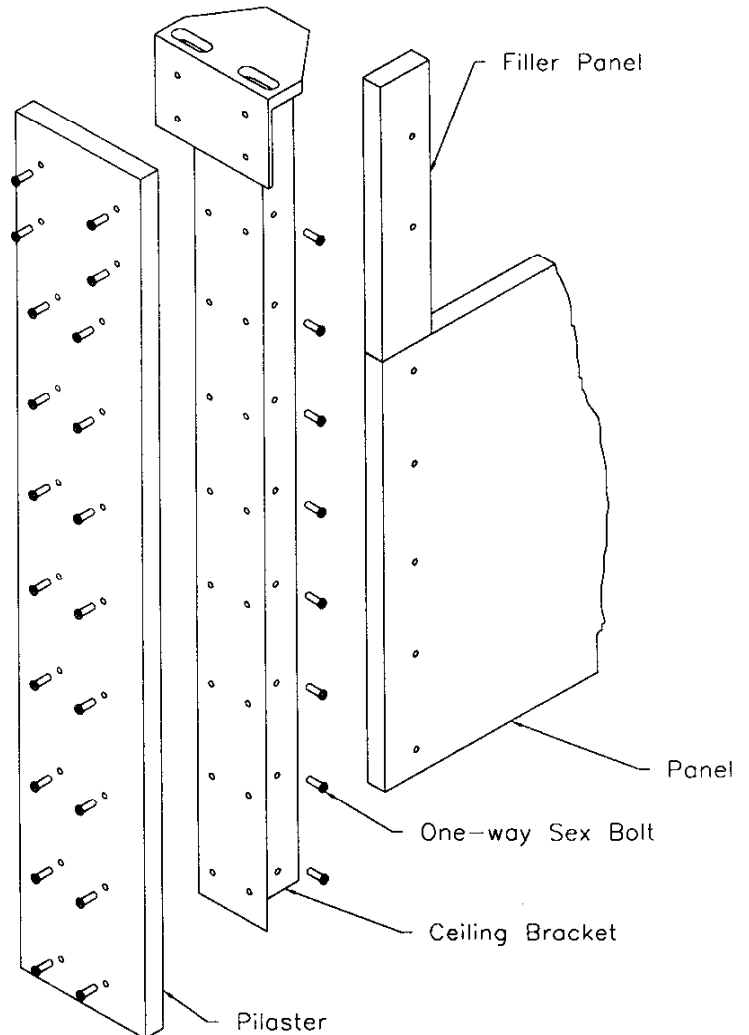
Note: Ceiling brackets come in three sizes only:

- 6" (4" bolt centers)
- 8" (6" bolt centers)
- 10" (8" bolt centers)

Bracket location depends upon pilaster offset not pilaster size. See bolt location drawings for bolt centers.



DETAIL AT CEILING



CEILING HUNG PILASTER AT WALL

Attach 15/16" x 3" "L" bracket to exposed ceiling bolts flush to ceiling with washers and hex head nuts.

Place ceiling shoe on pilaster, do not attach. Place pilaster into wall bracket leaving the indicated space between edge of pilaster and side wall and 14" A.F.F.

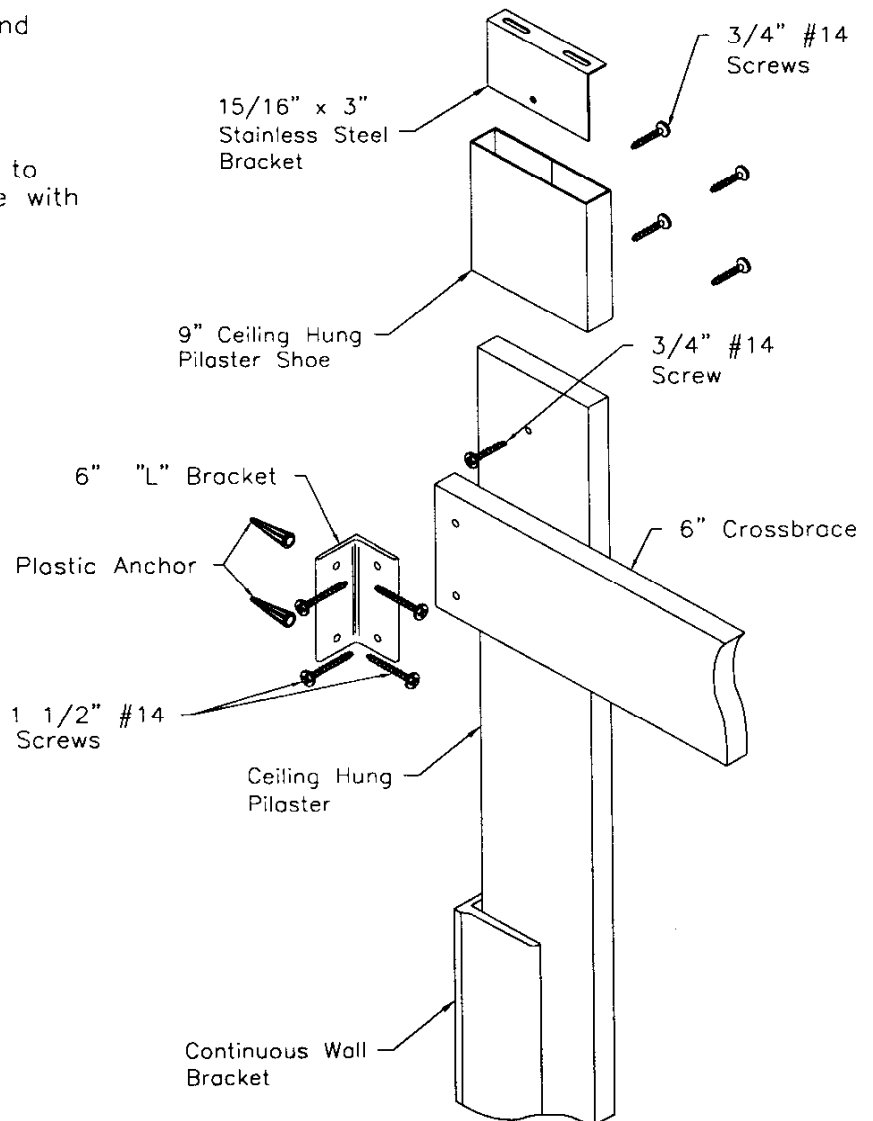
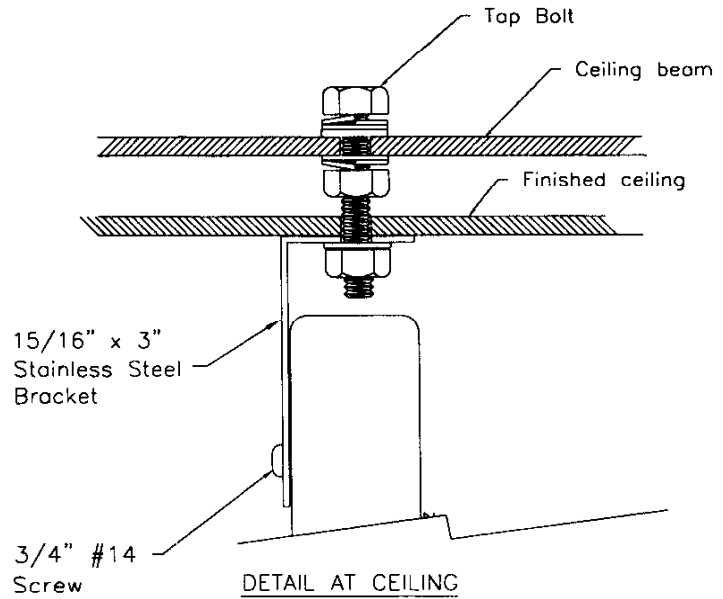
Using wall bracket as guide drill holes through pilaster and attach with one-way sex bolts.

Attach plaster to 15/16" x 3" "L" bracket with 3/4" #14 screw.

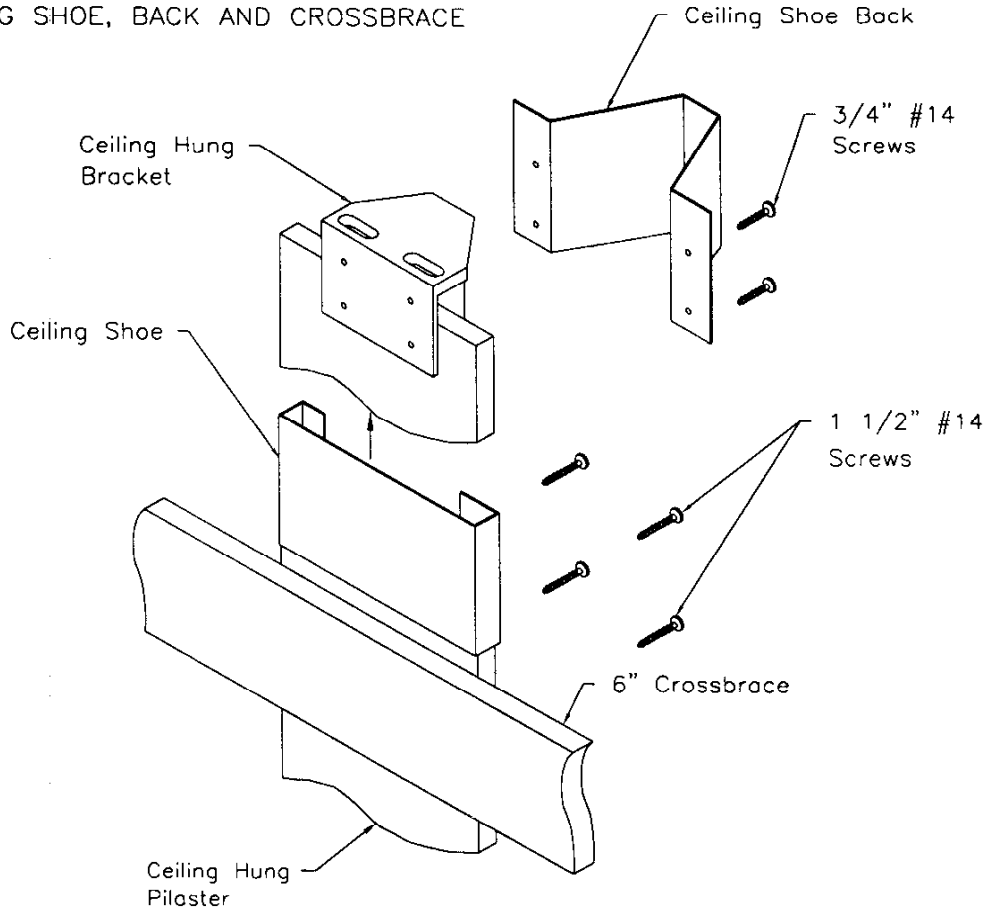
Slide ceiling shoe up to ceiling and attach to pilaster from back side with 3/4" #14 screws.

Level and attach 6" crossbracing to pilaster directly below ceiling shoe with 1 1/2" # 14 screws.

Attach 6" crossbracing to wall with 6" aluminum "L" bracket.



CEILING HUNG SHOE, BACK AND CROSSBRACE



Slide ceiling shoe up pilaster to ceiling. NOTE! This must be done before any door hardware is attached to pilaster. Place ceiling shoe back in proper location and attach front and back shoes with 3/4" #14 screws.

Attach crossbracing to pilaster directly below ceiling shoe and attach from back using four 1 1/2" #14 screws.

INSTALLING FLOOR TO CEILING PILASTERS

Locate pilaster centerline on both the floor and the ceiling. Determine 15/16" x 3" stainless steel "L" bracket locations per floor plan. ("L" brackets are 1/2" less in width than pilaster width).

Place 15/16" x 3" "L" brackets on pilaster centerline and mark center of elongated holes.

Remove "L" bracket and drill 5/16" Dia. hole. Insert #14-16 plastic anchor in hole. Place "L" bracket in place and fasten with 1 1/2" #14 screws.

Repeat above steps for all floor and ceiling connections.

Attach pilaster to panel or wall according to standard pilaster installation instructions.

Place bottomless pilaster shoes on pilaster.

Place pilaster in place, slide bottomless pilaster shoe into place. Drill hole through pilaster, "L" bracket and bottomless pilaster shoe. Fasten with one-way sex-bolts.

