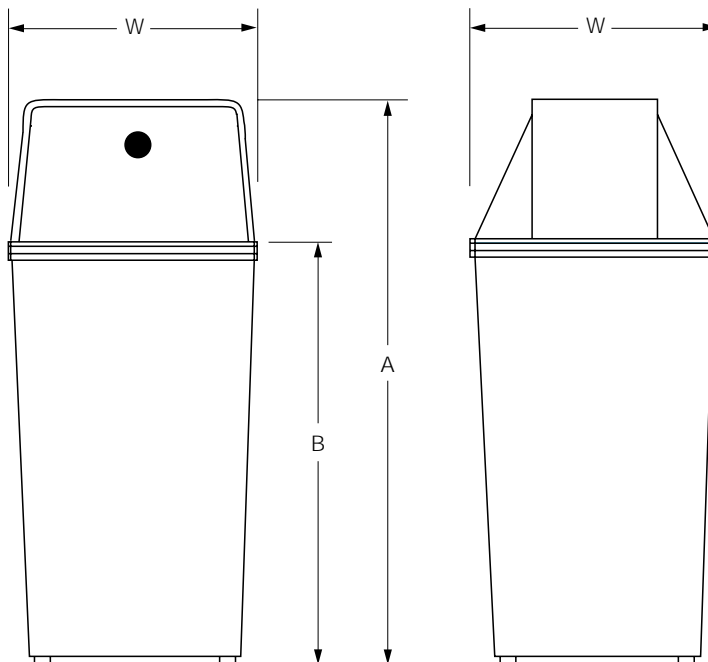




Technical Data

STAINLESS STEEL WASTE RECEPTACLES

B-2250



| Model Number | Capacity | A | B | W | Optional Accessory |
|--------------|-------------------|-----------------|-------------|---------------------------------|----------------------|
| | | | | | Vinyl Liner Part No. |
| B-2250 | 13 gal. (49.2 L) | 29-1/2" (750mm) | 22" (560mm) | 12-1/2" x 12-1/2" (320 x 320mm) | 2250-3 |
| B-2260 | 13 gal. (49.2 L) | — | 22" (560mm) | 12-1/2" x 12-1/2" (320 x 320mm) | 2250-3 |
| B-2270 | 21 gal. (79.5 L) | 37-1/2" (950mm) | 30" (760mm) | 14" x 14" (355 x 355mm) | 2270-3 |
| B-2280 | 21 gal. (79.5 L) | — | 30" (760mm) | 14" x 14" (355 x 355mm) | 2270-3 |
| B-2290 | 36 gal. (136.3 L) | 37-1/2" (950mm) | 30" (760mm) | 18" x 18" (455 x 455mm) | 2290-3 |

MATERIALS:

Waste Receptacle — 22-gauge (0.8mm) stainless steel with satin finish. Equipped with vinyl bumper strip and rubber feet. Hooks are provided to attach optional, removable liner (not provided) to upper interior corners.

Cover — 22-gauge (0.8mm) stainless steel with satin finish. Two spring-loaded, self-closing doors, which have an international graphic symbol to identify waste disposal, are secured with full-length, stainless steel piano-hinges.

OPERATION:

Entire cover is removable for easy servicing of receptacle. Vinyl bumper strip and rubber feet on waste receptacle protect wall and floor surfaces.

Designer's Note: Vinyl liners for waste receptacle are available from Bobrick as an accessory. Check the chart above for correct liner part number to order.

SPECIFICATION:

Waste receptacle shall be 22-gauge (0.8mm) stainless steel. Exposed surfaces shall have satin finish. Waste receptacle shall be equipped with vinyl bumper strip and rubber feet. Capacity shall be _____ (insert capacity). Manufacturer's service and parts manual shall be provided to the building owner/manager upon completion of project.

Waste Receptacle shall be Model _____ (insert model number) of Bobrick Washroom Equipment, Inc. Clifton Park, New York; Jackson, Tennessee; Los Angeles, California; Bobrick Washroom Equipment of Canada Ltd., Scarborough, Ontario; Bobrick Washroom Equipment Pty. Ltd., Australia; and Bobrick Washroom Equipment Limited, United Kingdom.