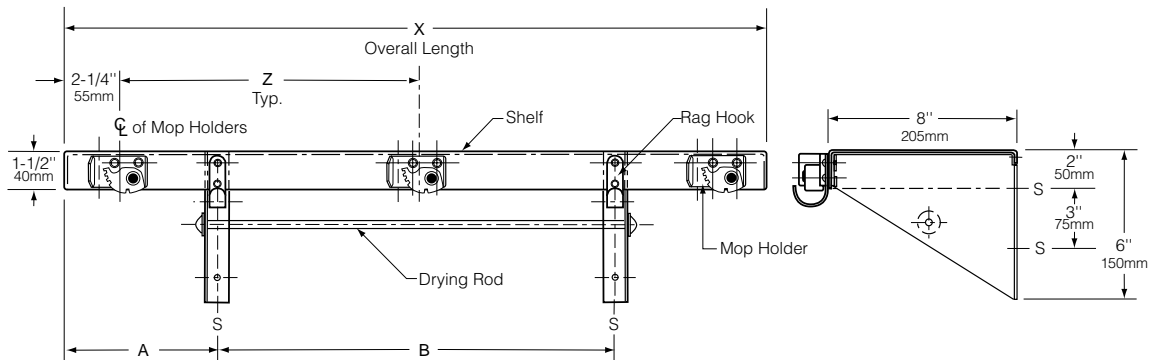




Technical Data

UTILITY SHELF WITH MOP/BROOM HOLDERS AND RAG HOOKS

B-224



Model Number	Dim. X	No. of Mop Holders	Dim. Z	No. of Rag Hooks	Dim. A	Dim. B
B-224 x 30	30" (762mm)	3	12-3/4" (324mm)	2	6-1/2" (165mm)	17" (432mm)
B-224 x 36	36" (914mm)	4	10-1/2" (267mm)	3	6-1/2" (165mm)	23" (584mm)
B-224 x 48	48" (1219mm)	6	8-3/4" (222mm)	5	6-1/2" (165mm)	35" (889mm)

MATERIALS:

Shelf — 18-8 S, type-304, 18-gauge (1.2mm) stainless steel with satin finish. Shelf has 1-1/2" (38mm) return edge for maximum rigidity.

Mounting Brackets — 18-8 S, type-304, 18-gauge (1.2mm) stainless steel with satin finish; welded to shelf.

Mop/Broom Holders — Spring-loaded rubber cams with antislip coating.

Rag Hooks — 18-8 S, type-304, 16-gauge (1.6mm) stainless steel with satin finish; secured to shelf with rivets.

Drying Rod — 18-8 S, type-304, 1/4" (6mm) diameter stainless steel with satin finish.

OPERATION:

Surface-mounted utility shelf with holders is designed to keep mops and brooms away from wall. Spring-loaded rubber cam holders accommodate mop or broom handles from 7/8" to 1-1/4" (22–32mm) diameter. Hooks for conveniently storing rags are located on front of shelf. Rod for hanging wet rags is located below shelf between mounting brackets.

INSTALLATION:

Secure unit to wall with four sheet-metal screws, furnished by manufacturer, at points indicated by an *S*. For plaster or dry wall construction, provide concealed backing to comply with local building codes, then secure unit with sheet-metal screws furnished. For other wall surfaces, provide fiber plugs or expansion shields for use with sheet-metal screws furnished, or provide 1/8" (3mm) toggle bolts or expansion bolts.

SPECIFICATION:

Surface-mounted utility shelf with mop/broom holders and rag hooks shall be type-304 stainless steel with satin finish. Shelf shall be 18 gauge (1.2mm) with 1-1/2" (38mm) return edge. Mounting brackets, welded to shelf, shall be 18 gauge (1.2mm). Unit shall be _____ (insert length), 8" (203mm) deep with _____ (insert number) spring-loaded rubber cam holders and _____ (insert number) rag hooks. Manufacturer's service and parts manual shall be provided to the building owner/manager upon completion of project.

Utility Shelf With Mop/Broom Holders And Rag Hooks shall be Model _____ (insert model number) of Bobrick Washroom Equipment, Inc., Clifton Park, New York; Jackson, Tennessee; Los Angeles, California; Bobrick Washroom Equipment of Canada Ltd., Scarborough, Ontario; Bobrick Washroom Equipment Pty. Ltd., Australia; and Bobrick Washroom Equipment Limited, United Kingdom.