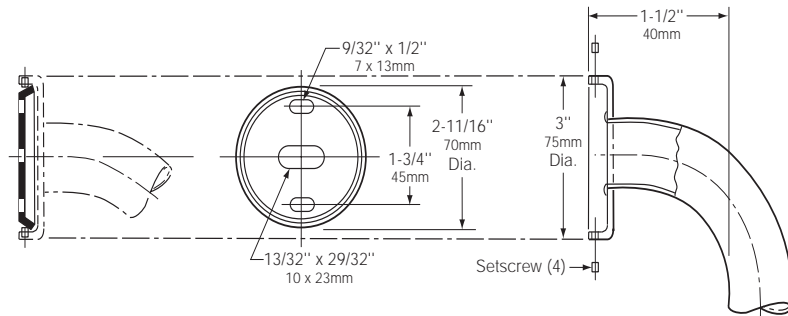
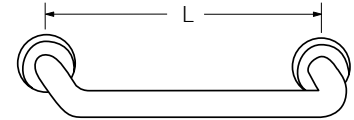




Technical Data

# EXTRA-HEAVY-DUTY TOWEL BARS WITH CONCEALED MOUNTING

# B-530



Model No.	Bar Length L
B-530 x 18	18" (455mm)
* B-530.99 x 18	18" (455mm)
B-530 x 24	24" (610mm)
* B-530.99 x 24	24" (610mm)

\* Peened nonslip gripping surface.

### MATERIALS:

**Towel Bar** — 18-8 S, type-304, 18-gauge (1.2mm) stainless steel tubing with satin finish. 1" (25mm) outside diameter. Ends are welded to flanges. Clearance between the towel bar and wall is 1-1/2" (40mm).

**Flanges** — 18-8 S, type-304, 11-gauge (3.2mm) drawn stainless steel with satin finish. 3" (75mm) diameter x 1/2" (13mm) deep with 3/16" (5mm) radius on edge. Each flange locks to concealed mounting plate with four stainless steel setscrews.

**Concealed Mounting Plates** — 18-8 S, type-304, 13-gauge (2.3mm) stainless steel. 2-11/16" (70mm) diameter x 5/16" (8mm) deep with three slotted screw holes for attachment to wall.

### STRENGTH:

Towel bar will support loads in excess of 900 pounds (408kg) if properly installed.

**Caution:** Towel bars are no stronger than the anchors or walls to which they are attached and, therefore, must be firmly secured in order to support the loads for which they are intended.

### INSTALLATION:

Provide concealed anchor device or backing as specified or required in accordance with local building codes before wall is finished. Fasten mounting plates to anchor device or backing. Lock towel bar to mounting plates by tightening four stainless steel setscrews in each flange. Concealed anchor devices and mounting screws are not included with this towel bar and must be specified as an accessory.

### Important Notes:

- Concealed Anchor Devices** — Bobrick has a complete selection of anchor devices available for all types of installations. All Bobrick concealed anchor devices include stainless steel machine screws.
- Mounting Kits** — Bobrick has a selection of mounting screws and fasteners available for different types of installations; **one Bobrick mounting kit is required for each flange.**

Concealed Anchor No.	Type of Installation
2562 Series	Anchor plate for stud wall construction.
2572	Anchor for solid wall construction; 1 anchor required for each flange.
2582	Anchor for installation through partition; 1 anchor required for each flange.

Mounting Kit No.	Description
252-30	Consists of (3) No. 14 x 2 1/2" (M6 x 64mm) type-304 stainless steel, Phillips round-head, sheet-metal screws.
2521-30	Consists of (3) 1/4"-20 x 3 1/2" (M6-1 x 89mm) type-304 stainless steel, Phillips round-head, machine screws with plated-steel toggle nuts.
2522-30	Consists of (3) 1/4"-20 x 2" (M6-1 x 51mm) type-304 stainless steel, Phillips round-head, machine screws with metal expansion shields.

### SPECIFICATION:

Towel bar shall be type-304 stainless steel with satin finish. Towel bar shall have 18-gauge (1.2mm) wall thickness and 1" (25mm) outside diameter. Clearance between the towel bar and wall shall be 1-1/2" (40mm). Flanges shall be 11-gauge (3.2mm) stainless steel, 3" (75mm) diameter, and equipped with four stainless steel setscrews. Ends of towel bar shall pass through flanges and be welded to form one structural unit. Concealed mounting plates shall be 13-gauge (2.3mm) stainless steel with three slotted screw holes. Manufacturer's service and parts manual shall be provided to the building owner/manager upon completion of project.

**Towel Bar shall be Model \_\_\_\_\_ (insert model number) of Bobrick Washroom Equipment, Inc., Clifton Park, New York; Jackson, Tennessee; Los Angeles, California; Bobrick Washroom Equipment of Canada Ltd., Scarborough, Ontario; Bobrick Washroom Equipment Pty. Ltd., Australia; and Bobrick Washroom Equipment Limited, United Kingdom.**