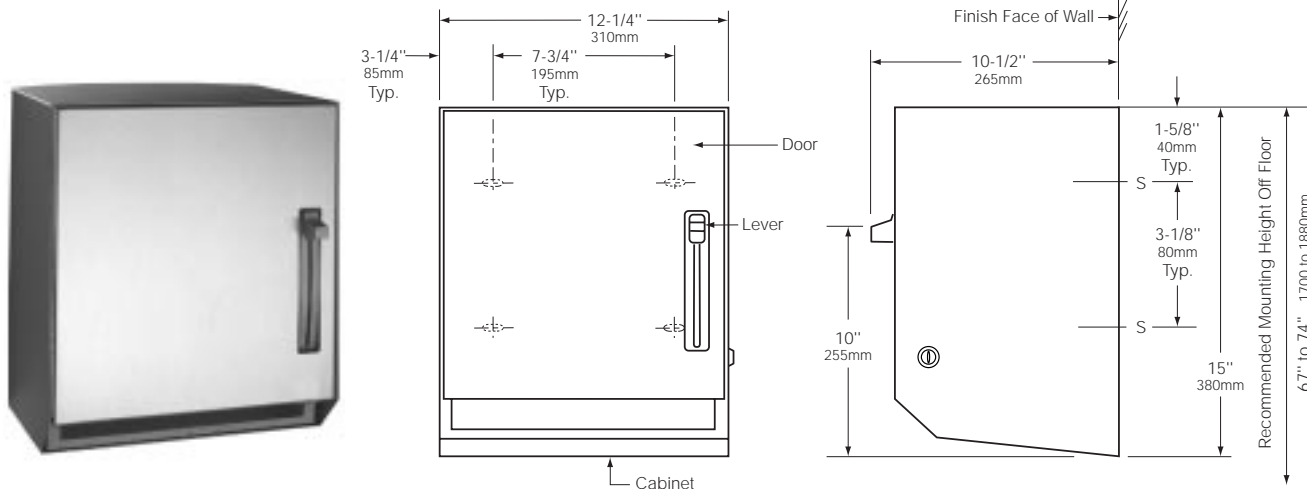




Technical Data

# SURFACE-MOUNTED ROLL-PAPER-TOWEL DISPENSER

# B-2860



### MATERIALS:

**Cabinet** — 18-8 S, type-304, 22-gauge (0.8mm) stainless steel. All-welded construction. Exposed surfaces have satin finish. Equipped with a tumbler lock keyed like other Bobrick washroom accessories.

**Door** — 18-8 S, type-304, 18-gauge (1.2mm) stainless steel with satin finish. Secured to cabinet with a full-length stainless steel piano-hinge. Equipped with a stainless steel cable door-swing limiter.

**Roll-Paper-Towel Mechanism** — Enameled cold-rolled steel. Automatic roll transfer system accepts one standard-core roll 8" or 9" (203 or 229mm) wide, up to 800 feet (244 m) long, and one stub roll up to 4" (102mm) diameter. Lever-operated unit is adjustable to dispense 2-1/2", 4" or 5" (64, 102, or 127mm) preset length of towel per stroke.

### OPERATION:

Building operator controls rate of towel use by selecting length of towel to be fed per stroke of lever. Automatic roll transfer system uses up stub roll before new roll starts to dispense; eliminates towel outages and reduces maintenance time. Cable door-swing limiter prevents damage to washroom accessories and walls. Lever is operable with one hand, without tight grasping, pinching, or twisting of the wrist, and with less than 5 pounds of force (22.2 N) to comply with barrier-free accessibility guidelines (including ADAAG in U.S.A.).

### INSTALLATION:

Mount unit on wall with four #8 x 1-1/4" (4.2 x 32mm) sheet-metal screws (not furnished) at points indicated by an S. For plaster or dry wall construction, provide concealed backing to comply with local building codes, then secure unit with sheet-metal screws. For other wall surfaces, provide fiber plugs or expansion shields for use with sheet-metal screws, or provide 1/8" (3mm) toggle bolts or expansion bolts.

### SPECIFICATION:

Surface-mounted roll-paper-towel dispenser shall be type-304 stainless steel with all-welded construction; exposed surfaces shall have satin finish. Door shall be secured to cabinet with a full-length stainless steel piano-hinge and equipped with a stainless steel cable door-swing limiter. Unit shall be equipped with a tumbler lock keyed like other Bobrick washroom accessories. Towel mechanism shall be adjustable to dispense preset lengths of paper towels from standard-core rolls. Automatic roll transfer shall dispense towels from stub roll before new roll starts dispensing. Lever shall be operable with one hand and with less than 5 pounds of force (22.2 N) to comply with barrier-free accessibility guidelines (including ADAAG in U.S.A.). Manufacturer's service and parts manual shall be provided to the building owner/manager upon completion of project.

**Surface-Mounted Roll-Paper-Towel Dispenser shall be Model B-2860 of Bobrick Washroom Equipment, Inc., Clifton Park, New York; Jackson Tennessee; Los Angeles, California; Bobrick Washroom Equipment of Canada Ltd., Scarborough, Ontario; Bobrick Washroom Equipment Pty. Ltd., Australia; and Bobrick Washroom Equipment Limited, United Kingdom.**