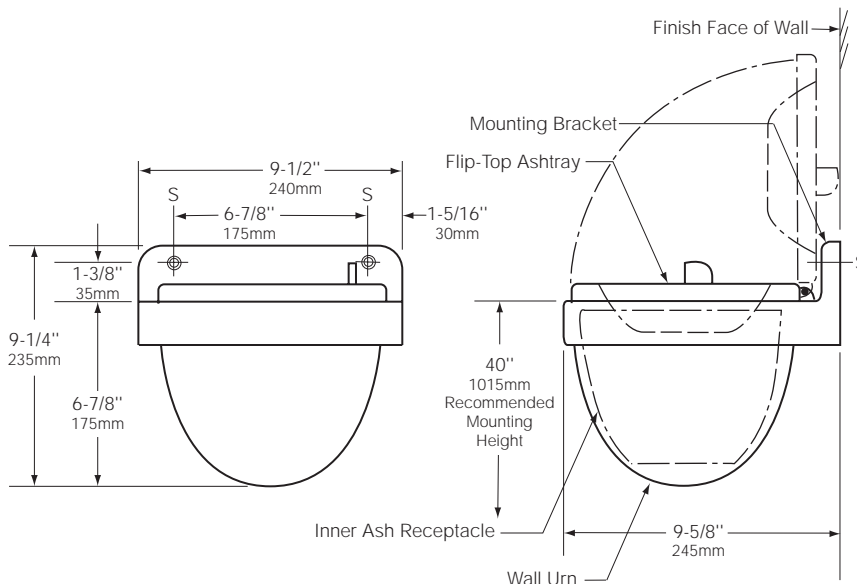




Technical Data

SURFACE-MOUNTED WALL URN

B-260



MATERIALS:

Flip-Top Ashtray — 18-8 S, type-304, 22-gauge (0.8mm) stainless steel with satin finish; drawn construction. Secured to wall urn with hinge.

Wall Urn — 18-8 S, type-304, 22-gauge (0.8mm) stainless steel; drawn construction.

Mounting Bracket — Heavy-duty aluminum casting.

Ash Receptacle — Aluminum; drawn, one-piece, seamless construction.

OPERATION:

Flip-top ashtray is operated by pushing down on button on right side of ashtray. Ashes fall into inner ash receptacle. To empty wall urn, lift front of hinged flip-top ashtray and remove inner ash receptacle. Hinge on rear of flip-top ashtray secures ashtray to mounting bracket and is theft-resistant.

INSTALLATION:

Mount urn on wall with two sheet-metal screws, furnished by manufacturer, at points indicated by an S. For plaster or dry wall construction, provide concealed backing to comply with local building codes and secure with sheet-metal screws furnished. For other wall surfaces, provide fiber plugs or expansion shields for use with sheet-metal screws furnished, or provide 1/4" (6.3mm) toggle bolts or expansion bolts.

SPECIFICATION:

Surface-mounted wall urn with flip-top ashtray shall be type-304 stainless steel. Mounting bracket shall be heavy-duty aluminum casting. Unit shall have satin finish. Flip-top ashtray shall be secured to wall urn with hinge. Unit shall be furnished with removable, aluminum, inner ash receptacle. Manufacturer's service and parts manual shall be provided to the building owner/manager upon completion of project.

Surface-Mounted Wall Urn shall be Model B-260 of Bobrick Washroom Equipment, Inc., Clifton Park, New York; Jackson, Tennessee; Los Angeles, California; Bobrick Washroom Equipment of Canada Ltd., Scarborough, Ontario; Bobrick Washroom Equipment Pty. Ltd., Australia; and Bobrick Washroom Equipment Limited, United Kingdom.