



Technical Data

PARTITION-MOUNTED FOLDING CHILD SEAT

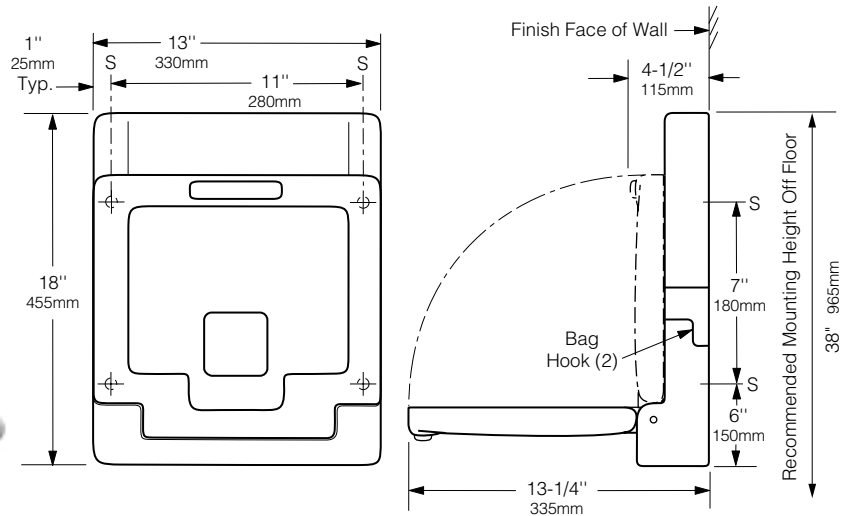
B-2220



Closed Unit



Open Unit



MATERIALS:

Durable, high-impact grey polyethylene. Seat is secured to back plate with a concealed, full-length stainless steel hinge rod. Furnished with four grey plastic mounting caps to conceal screw heads. Equipped with a nylon safety strap and two hooks for bags and purses.

OPERATION:

Child seat provides safe location off of floor for child with parent inside toilet compartment or fitting room. Toilet compartment door cannot be opened when seat is in use. No hardware exposed on interior or exterior surfaces. Seat is manually opened and closed. Safety strap keeps child secure in seat. Nonporous polyethylene resists odors and bacterial growth. Unit supports loads up to 80 lb (36kg) when properly installed.

Warning: *This child seat is no stronger than the anchors or wall to which it is attached and, therefore, must be firmly secured in order to support the loads for which it is intended.*

INSTALLATION:

Mount unit on wall or toilet partition adjacent to latch side of compartment door. Use unit to mark location of four (4) mounting holes at points indicated by an *S*. Provide 12" (305mm) minimum clearance from the inside surface of compartment door to the front edge of unit to allow the door to open and close when the seat is closed.

For partitions with particle board or other solid core, use 9/32" (7mm) bit to drill mounting holes through partition. From opposite side of partition, insert T-nuts furnished by manufacturer. Secure unit with machine screws and flat fender washers furnished. Conceal screw heads with plastic mounting caps furnished, which snap into place over mounting holes. *For hollow core metal partitions*, provide solid backing into which furnished screws can be secured, then follow procedures above.

To mount unit on wall, provide concealed anchor device or backing to comply with local building codes before wall is finished. Secure unit with 1/4"-20 (M6-1) mounting screws (not furnished).

SPECIFICATION:

Folding child seat shall be durable, high-impact grey polyethylene. Seat shall be secured to back plate with a concealed, full-length stainless steel hinge rod. No hardware shall be exposed on interior or exterior surfaces. Seat shall be equipped with a nylon safety strap and two hooks for bags and purses. Unit shall support loads up to 80 lb (36kg) when properly installed. Manufacturer's service and parts manual shall be provided to the building owner/manager upon completion of project.

Folding Child Seat shall be Model B-2220 of Bobrick Washroom Equipment, Inc., Clifton Park, New York; Jackson, Tennessee; Los Angeles, California; Bobrick Washroom Equipment of Canada Ltd., Scarborough, Ontario; Bobrick Washroom Equipment Pty. Ltd., Australia; and Bobrick Washroom Equipment Limited, United Kingdom.