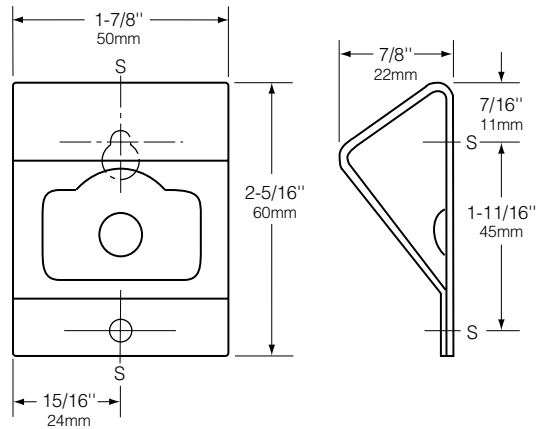


Specify Model Required: Model B-203 Satin-finish stainless steel
 Model B-206 Bright polished stainless steel



MATERIALS:

18-8 S, type-304, 16-gauge (1.6mm) stainless steel. One-piece welded construction.

INSTALLATION:

Mount unit on wall with two sheet-metal screws, furnished by manufacturer, at points indicated by an *S*. Install upper screw with the head approximately 1/16" (1.6mm) from the wall. Place keyhole slot over the screw head and slide the bottle opener down. Install the lower screw and tighten both screws securely. For plaster or dry wall construction, provide concealed backing to comply with local building codes, then secure unit with sheet-metal screws furnished. For other wall surfaces, provide fiber plugs or expansion shields for use with sheet-metal screws furnished, or provide 1/8" (3mm) toggle bolts or expansion bolts.

SPECIFICATION:

Stainless steel bottle opener shall be type-304 stainless steel with _____ (insert one: satin or bright polished) finish. Unit shall be one-piece welded construction with projection rounded and returned to the backplate. Manufacturer's service and parts manual shall be provided to the building owner/manager upon completion of project.

Stainless Steel Bottle Opener shall be Model _____ (insert model number) of Bobrick Washroom Equipment, Inc., Clifton Park, New York; Jackson, Tennessee; Los Angeles, California; Bobrick Washroom Equipment of Canada Ltd., Scarborough, Ontario; Bobrick Washroom Equipment Pty. Ltd., Australia; and Bobrick Washroom Equipment Limited, United Kingdom.