

INSTRUCTIONS FOR INSTALLATION AND MAINTENANCE

BOBRICK SANITARY NAPKIN/TAMPON VENDORS – MODELS B-43500, B-43500X2, B-435009, AND B-435009X2

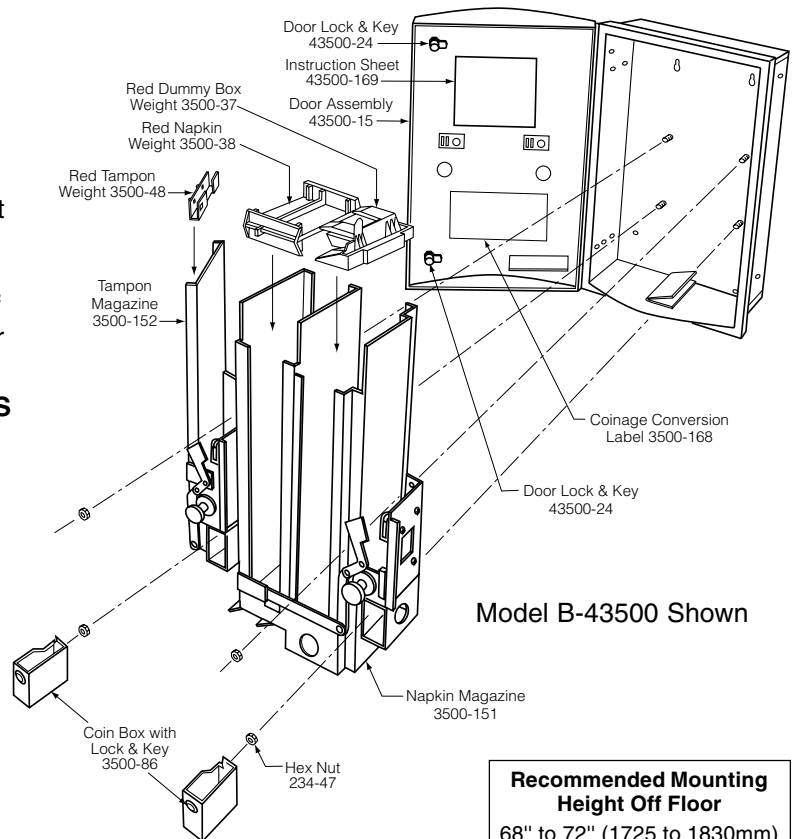
INSTALLATION:

B-43500 & B-43500X2 RECESSED VENDORS

Provide framed rough wall opening 15-3/4" wide x 24-1/4" high (400 x 665mm). Minimum recessed depth to finish face of wall is 4" (102mm). Secure to framed rough wall opening with four screws furnished by manufacturer. Shim between cabinet and framed rough wall opening to prevent distortion when mounting screws are tightened. Mount vendor plumb and true in wall opening. Coordinate with mechanical engineer to avoid pipes, vents, and conduits. If surface mounting is required after units are received, order Bobrick Skirt Kit, Part No. 435009-19.

B-435009 & B-435009X2 SURFACE-MOUNTED VENDORS

Provide concealed backing at screw points. Backing must comply with local building codes. Secure cabinet to wall with four #8 x 1-1/4" (4.2 x 32mm) screws furnished by manufacturer. If concealed backing is not provided, secure cabinet to wall with four toggle bolts. For masonry wall, provide #8 (4.2mm) fiber plugs for use with furnished screws or provide 1/8" (3mm) expansion bolts. Mount cabinet plumb and true on wall. Skirt may be removed in the field for recessed mounting of unit.



Recommended Mounting Height Off Floor
 68" to 72" (1725 to 1830mm)
 to top of rough wall opening.
 For barrier-free design:
 51-1/4" (1300mm)

MAINTENANCE:

To Fill Vendor

It is not necessary to remove magazines from cabinet to load. Remove red weights. Fill right magazine with napkins (capacity 31). Fill left magazine with tampons (capacity 22). Replace red weights on top of each magazine with label facing forward.

Vendor dispenses napkin packages measuring 3" x 1" x 4-1/4" (75 x 25 x 110mm) and tampon packages measuring 5-1/8" long x 11/16" diameter (130 x 17mm). See Bobrick Advisory Bulletin TB-25 for availability of napkin and tampon brand names.

CONVERSION OF COIN MECHANISM AND COIN PLATES:

Coin Mechanisms

The coin mechanism can be easily converted in the field. Remove hex nuts, 2 per magazine. Remove tampon magazine first from cabinet, then napkin magazine. Follow instructions below (Form No. 3500-168) to make conversion to desired coin denomination. Reinstall napkin magazine first, then tampon magazine.

Coin Plates

Whenever a conversion is made, *new coin plate kits showing correct coinage must be ordered and installed on front of door.* Remove old coin plates by pushing from back through holes in door. Thoroughly clean surface for new coin plate with alcohol, acetone, or MEK. Peel off protective backing and install the new coin plates.

REPLACEMENT PARTS LIST

Part Name	Part No.
Door Replacement Kit	43500-15
Door Lock and Key	43500-24
Key for Door Locks	330-43
Napkin Magazine Kit (31 Napkins)	3500-151
Tampon Magazine Kit (22 Tampons)	3500-152
Red Dummy Box Weight	3500-37
Red Napkin Weight	3500-38
Red Tampon Weight	3500-48
Coin Box with Lock and Key (2)	3500-86
Key for Coin Box	352-112
10¢ Coin Plate Kit	3500-155
25¢ Coin Plate Kit	3500-156
Free Coin Plate Kit	3500-157
30¢ Coin Plate Kit	3500X2-175
35¢ Coin Plate Kit	3500X2-176
50¢ Coin Plate Kit	3500X2-177
Hex Nut	234-47
Skirt Kit for Surface Mounting Models B-43500 & B-43500X2	435009-19

