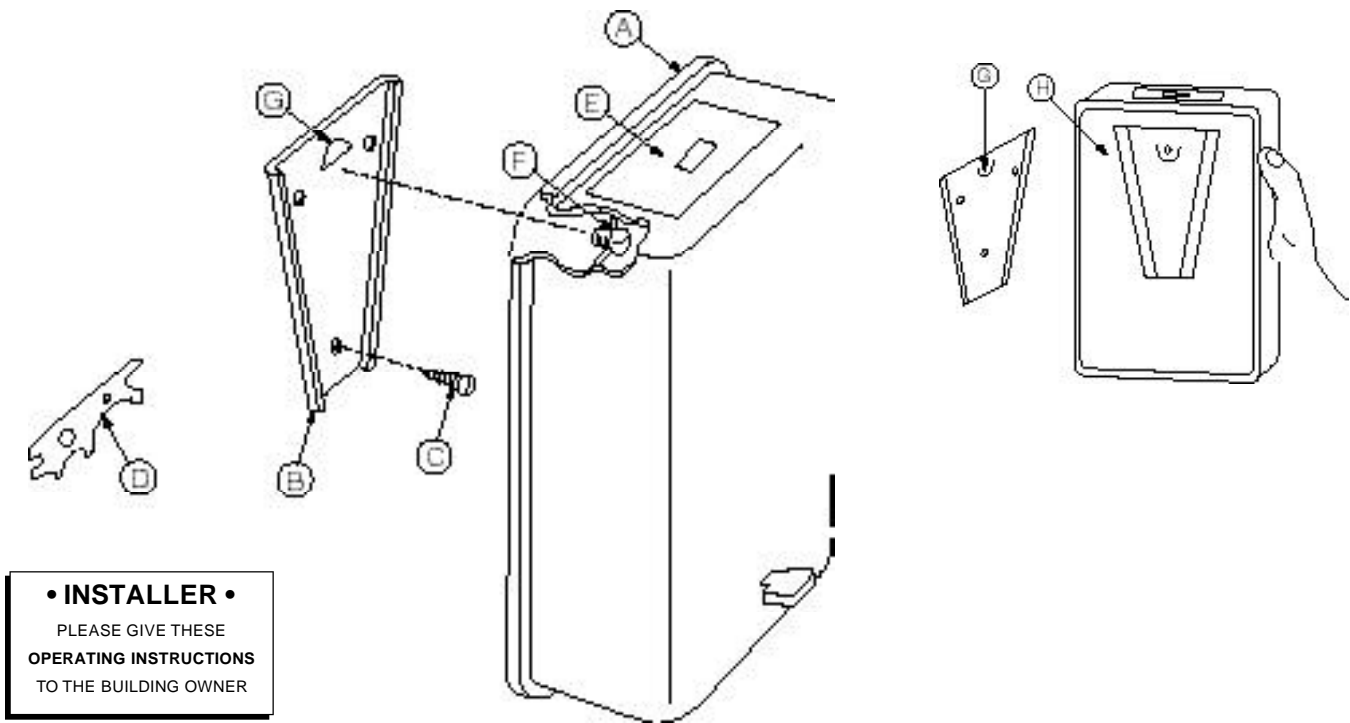


INSTRUCTIONS FOR INSTALLATION AND MAINTENANCE

BOBRICK MODEL B-132 POWDERED SOAP DISPENSER



INSTALLATION:

Locate Model B-132 dispenser (A) so the lever will be over the lavatory. Allow a minimum 4" (102mm) clearance between top of dispenser and bottom of any shelf, cabinet, or other horizontal projection to provide enough space to fully open the lid and fill dispenser conveniently.

How To Mount The Wall Bracket:

Use the wall bracket (B) as a template to mark the mounting hole locations on the wall for the three mounting screws (C) furnished by manufacturer. Remove the wall bracket, then drill the (3) mounting holes. Finally, secure the wall bracket in place with the mounting screws. The surface on which the unit is to be mounted determines the specific type of mounting required for best installation:

For plaster or dry wall construction, provide concealed backing to comply with local building codes, then secure wall bracket with screws furnished.

For hollow tile walls and other instances where applicable, provide 1/8" (3mm) round-head toggle bolts.

For brick, concrete, or solid tile walls, provide #8 (4mm) fiber plugs or expansion shields for use with screws furnished, or provide 1/8" (3mm) expansion bolts.

How To Mount The Soap Dispenser:

1. Open the filler-top (E) by inserting BobKey (D) into filler-top slot and then sliding latch to the left. Lift up filler-top.
2. Using screwdriver, loosen locking screw (F).

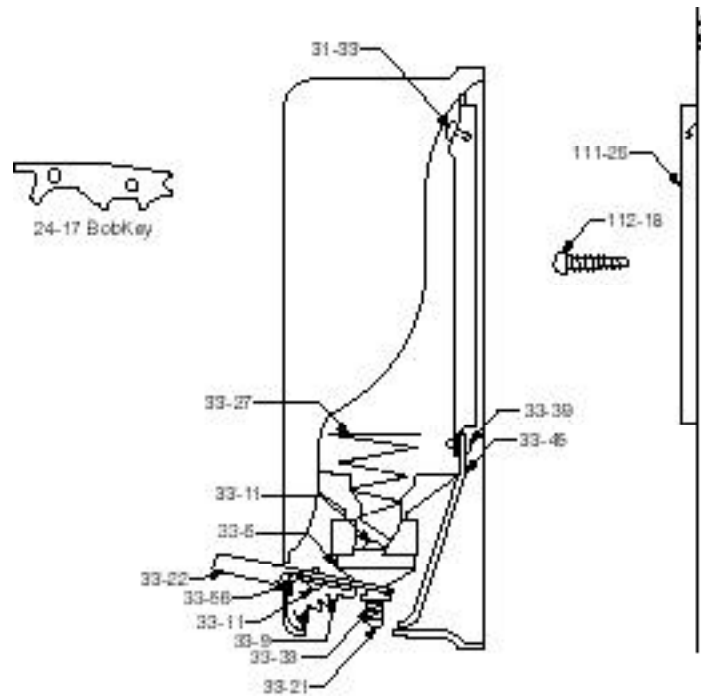
3. Position dispenser so that edges of backplate (H) fit into grooves of wall plate, then press dispenser down into place.
4. Tighten locking screw. Dispenser locks into place when point of locking screw is lodged under lug (G) of wall plate.
5. Close filler-top and re-lock by inserting BobKey into filler-top and sliding latch to the right.

MAINTENANCE:

1. To fill dispenser, open filler-top (E) by inserting BobKey (D) into filler-top slot and then sliding latch to the left. Lift up filler-top. Fill dispenser with free-flowing granulated powdered soap. Close filler-top and re-lock by inserting BobKey into filler-top and sliding latch to the right.
2. Clean equipment operates better, lasts longer, and requires less maintenance. Wipe the unit daily, using damp cloth. Periodically give the dispenser an overall cleaning. Remove the soap vessel by loosening the locking screw and sliding vessel up off the wall bracket. Warm water mixed with mild soap is the best cleaning solution for all dispenser parts. Pump warm water through the vessel periodically to flush out any contaminants or dried soap residue. **NEVER USE ABRASIVE CLEANERS.**
3. To adjust for more or less soap per stroke, adjust Phillips-head screw (33-21) located at bottom of unit. Turn screw counterclockwise for less soap per stroke or for use with very fine powdered soaps. Turn screw clockwise for more soap per stroke or for use with coarser grained soaps.

REPLACEMENT PARTS LIST

BOBRICK MODEL B-132 POWDERED SOAP DISPENSER



PART NAME	PART NO.
Wall Plate	111-25
Mounting Screws (set of 3)	112-18
BobKey	24-17
Locking Screw	31-33
Piston	33-5
Main Spring	33-9
Agitator Spring Screw	33-11
Adjusting Screw (Phillips-Head)	33-21
Lever Arm	33-22
Agitator Spring	33-27
Locking Spring	33-33
Spout Screws (2 required)	33-39
Spout	33-45
Lever Retainer	33-56
Lever Retainer Screw	33-11



In the U.S.A.: BOBRICK WASHROOM EQUIPMENT, INC.

200 Commerce Drive, Clifton Park, New York 12065-1350 • Tel: (518) 877-7444 • FAX: 518-877-5029
 11611 Hart Street, North Hollywood, California 91605-5882 • Tel: (818) 982-9600 • FAX: 818-503-1102
 225 Bobrick Drive, Jackson, Tennessee 38301-5635 • Tel: (901) 424-7000 • FAX: 901-424-7800

In Canada: BOBRICK WASHROOM EQUIPMENT OF CANADA LTD.

45 Rolark Drive, Scarborough, Ontario M1R 3B1 • Tel: (416) 298-1611 • FAX: 416-298-6351